



Riverby® | K-35002

Ice bucket holder

Features

- Fits securely within the sink bevel of Riverby® kitchen sinks
- Customized cutout allows coordinating K-35487 ice bucket to nest effortlessly within it
- Durable and lightweight with rounded edges allow for easy maneuverability and storage
- Dishwasher-safe



1-800-4KOHLER (1-800-456-4537)
Kohler Co. reserves the right to make revisions without notice to product specifications.
For the most current specification sheet, go to www.kohler.com USA or www.kohler.ca Canada.
4-15-2026 2:45 - US-CA

THE BOLD LOOK
OF **KOHLER**®

Codes/Standards

None Applicable

Material

- Paper composite
-

Recommended Products/Accessories

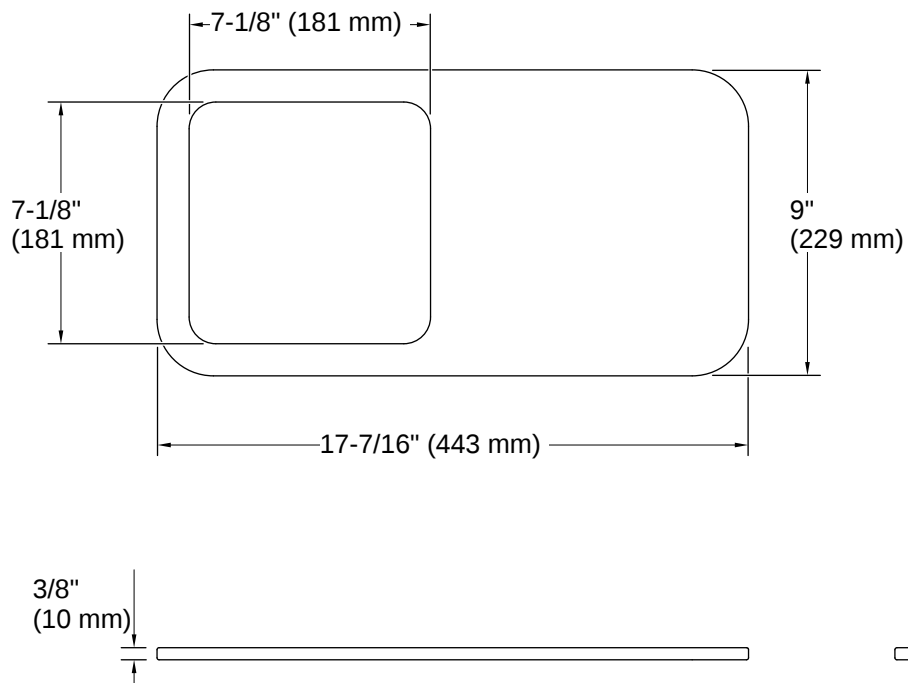
K-35487 Three-piece ice bucket set

Warranty

See website for detailed warranty information.

KOHLER® One-Year Limited Warranty





Installation Notes

Install this product according to the installation instructions.

