



Billings® | K-33713-PC

26-1/2" undermount single-bowl workstation kitchen sink

Features

- 30" (762 mm) minimum base cabinet width
- Single large bowl
- 9" (229 mm) depth provides generous workspace
- Right rear drain placement increases workspace in the sink and storage space underneath
- Rounded 3/8" (10 mm) corners are easy to clean
- Matte finish offers rich, dimensional color
- All included accessories nest neatly together for easy storage when not in use
- Included accessories: cutting board, drain board, colander / drying rack, soaking bin with drain, stainless steel bottom sink rack
- Drain board, colander / drying rack, soaking bin with drain, and bottom sink rack are dishwasher safe



Available Colors/Finishes

Color tiles intended for reference only.

- CM6 Matte White
- CM7 Matte Graphite
- CM1 Matte Black
- CM2 Matte Brown
- CM3 Matte Taupe
- CM4 Matte Grey



1-800-4KOHLER (1-800-456-4537)
Kohler Co. reserves the right to make revisions without notice to product specifications.
For the most current specification sheet, go to www.kohler.com USA or www.kohler.ca Canada.
4-15-2026 6:52 - US-CA

THE BOLD LOOK
OF **KOHLER**®

Codes/Standards

CSA B45.5/IAPMO Z124

Warranty

See website for detailed warranty information.

KOHLER® Neoroc® Sinks Lifetime Limited Warranty

Technical Information

All product dimensions are nominal.

Drain Hole Diameter:	3-7/8" (98 mm)
Minimum Base Cabinet Width:	30" (762 mm)
Basin Configuration:	Single Bowl
Basin Length:	24-1/4" (616 mm)
Basin Width:	15-9/16" (395 mm)
Basin Depth:	9" (229 mm)

Material

- KOHLER Neoroc® composite is durable and built to withstand day-to-day cleaning tasks
- Solid color throughout the sink
- Heat-resistant up to 750°F
- Scratch-, stain-, chip-, and thermal-shock-resistant

Recommended Products/Accessories

K-35489 Professional-style cutting board

K-35484 Three-piece workstation prep bowl set

K-35491 Marble serving tray

K-35487 Three-piece ice bucket set

K-35488 Ice bucket holder

K-35485 Workstation sink cover

K-23730 Neoroc cleaner

K-37917-WAL Colander

K-37918-WAL Soaking bin

K-37922-WAL Three-piece salad bowl set

K-37923-WAL Pot rack

K-37914-WAL Three-piece workstation sink prep bowl set

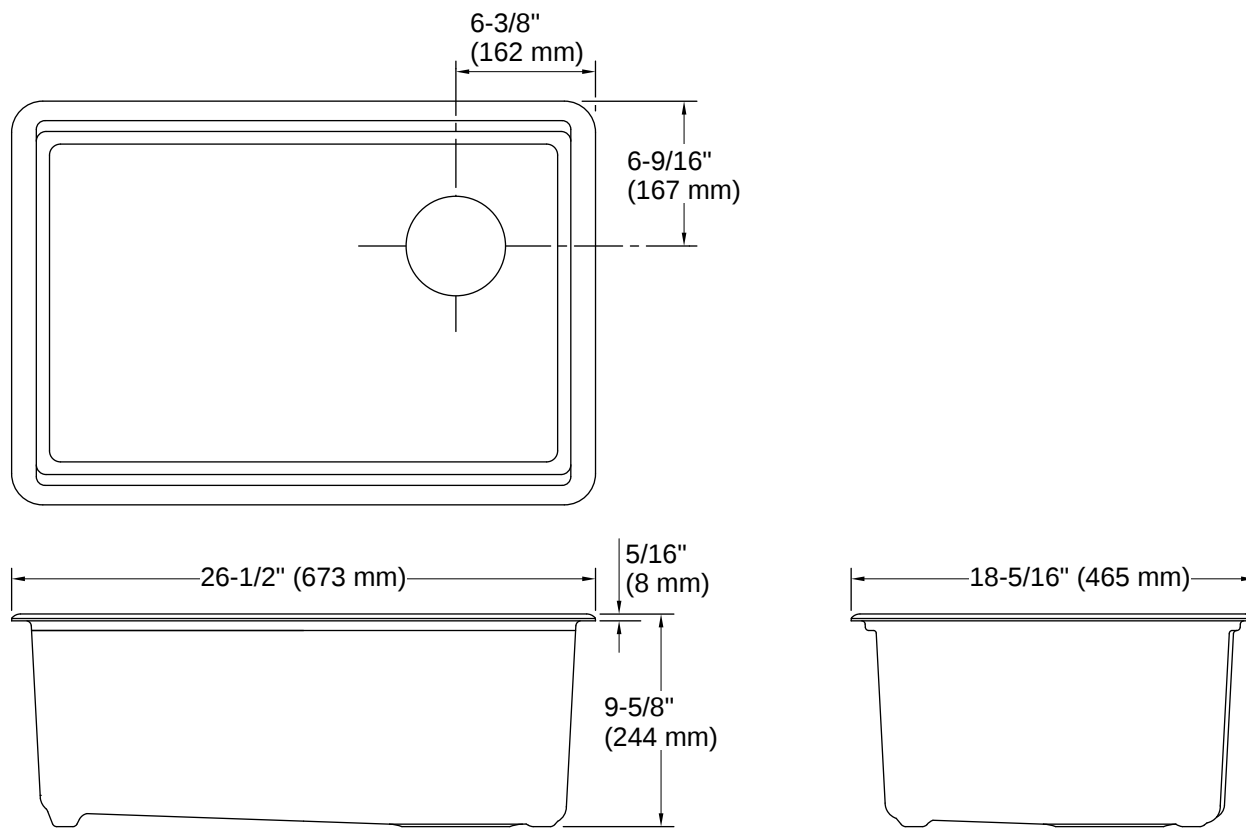


1-800-4KOHLER (1-800-456-4537)

Kohler Co. reserves the right to make revisions without notice to product specifications.

For the most current specification sheet, go to www.kohler.com USA or www.kohler.ca Canada.

4-15-2026 6:52 - US-CA



Installation

- Undermount
- Installation hardware and templates included

Installation Notes

Install this product according to the installation instructions.

NOTICE: Countertop manufacturer or cutter must use the cut-out template provided with the product, or a current one provided by Kohler Co. (call 1-800-4KOHLER). Kohler Co. is not responsible for cutout errors when the incorrect cut-out template is used.

