

Strive® | K-33662-PC

32" undermount single-bowl workstation kitchen sink

Features

- Fits minimum 33" (838 mm) base cabinet width
- Single large bowl
- 9-1/8" (232 mm) depth provides generous workspace
- Right rear drain placement increases workspace in the sink and storage space underneath
- Rounded 3/8" (10 mm) corners are easy to clean
- SilentShield® sound-absorption technology offers quieter performance
- All included accessories nest neatly together for easy storage when not in use
- Included accessories: cutting board, drain board, colander / drying rack, soaking bin with drain, stainless steel bottom sink rack, drain cover
- Sink drain and strainer sold separately



Sustainability



Available Colors/Finishes

Color tiles intended for reference only.

NA Stainless Steel



Codes/Standards

ASME A112.19.3/CSA B45.4

Technical Information

All product dimensions are nominal.

| | |
|-----------------------------|-------------------|
| Drain Hole Diameter: | 3-3/4" (94 mm) |
| Minimum Base Cabinet Width: | 33" (838 mm) |
| Basin Configuration: | Single Bowl |
| Basin Length: | 30-1/4" (768 mm) |
| Basin Width: | 15-9/16" (395 mm) |
| Basin Depth: | 9-1/8" (232 mm) |

Material

- Premium 16-gauge stainless steel

Recommended Products/Accessories

K-35484 Three-piece workstation prep bowl set

K-35487 Three-piece ice bucket set

K-35489 Professional-style cutting board

K-35491 Marble serving tray

K-35488 Ice bucket holder

K-35485 Workstation sink cover

K-37917-WAL Colander

K-37918-WAL Soaking bin

K-37922-WAL Three-piece salad bowl set

K-37923-WAL Pot rack

K-37914-WAL Three-piece workstation sink prep bowl set

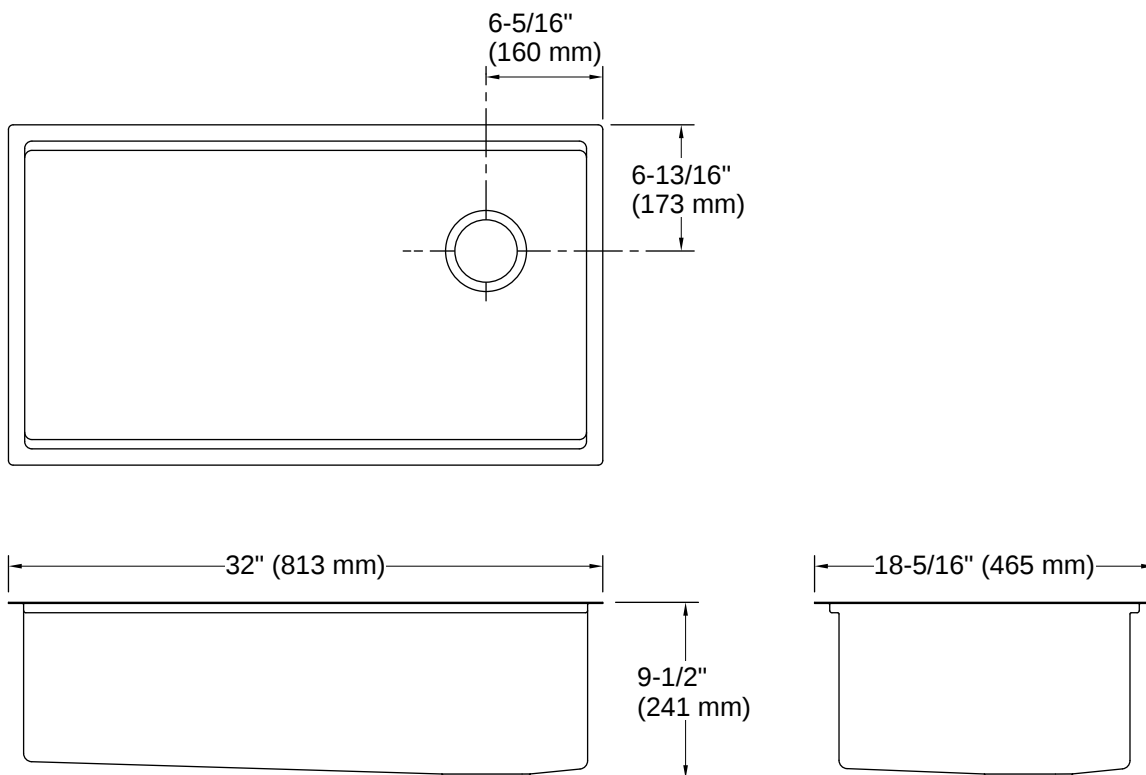
Warranty

See website for detailed warranty information.

KOHLER® Stainless Steel Sinks Lifetime Limited Warranty



1-800-4KOHLER (1-800-456-4537)
Kohler Co. reserves the right to make revisions without notice to product specifications.
For the most current specification sheet, go to www.kohler.com USA or www.kohler.ca Canada.
4-15-2026 2:39 - US-CA



Installation

- Undermount
- Installation hardware and templates included

Installation Notes

Install this product according to the installation instructions.

"NOTICE: Countertop manufacturer or cutter must use the cut-out template provided with the product, or a current one provided by Kohler Co. (call 1-800-4KOHLER). Kohler Co. is not responsible for cutout errors when the incorrect cut-out template is used."

