

Strive® | K-33657-PC

35-1/2" undermount single-bowl farmhouse workstation kitchen sink

Features

- Fits minimum 36" (914 mm) apron sink base cabinet
- Self-Trimming® apron overlaps cabinet face for easy installation and beautiful results
- Single large bowl
- 9-1/8" (232 mm) depth provides generous workspace
- Right rear drain placement increases workspace in the sink and storage space underneath
- Rounded 3/8" (10 mm) corners are easy to clean
- SilentShield® sound-absorption technology offers quieter performance
- All included accessories nest neatly together for easy storage when not in use
- Included accessories: cutting board, drain board, colander / drying rack, soaking bin with drain, stainless steel bottom sink rack, drain cover
- Sink drain and strainer sold separately



Sustainability



Available Colors/Finishes

Color tiles intended for reference only.

 NA Stainless Steel



Codes/Standards

ASME A112.19.3/CSA B45.4

Technical Information

All product dimensions are nominal.

Drain Hole Diameter:	3-3/4" (94 mm)
Minimum Base Cabinet Width:	36" (914 mm)
Basin Configuration:	Single Bowl
Basin Length:	32-1/2" (826 mm)
Basin Width:	15-9/16" (395 mm)
Basin Depth:	9-1/8" (232 mm)

Material

- Premium 16-gauge stainless steel

Recommended Products/Accessories

K-35484 Three-piece workstation prep bowl set

K-35487 Three-piece ice bucket set

K-35489 Professional-style cutting board

K-35491 Marble serving tray

K-35488 Ice bucket holder

K-35485 Workstation sink cover

K-37917-WAL Colander

K-37918-WAL Soaking bin

K-37922-WAL Three-piece salad bowl set

K-37923-WAL Pot rack

K-37914-WAL Three-piece workstation sink prep bowl set

Warranty

See website for detailed warranty information.

KOHLER® Stainless Steel Sinks Lifetime Limited Warranty

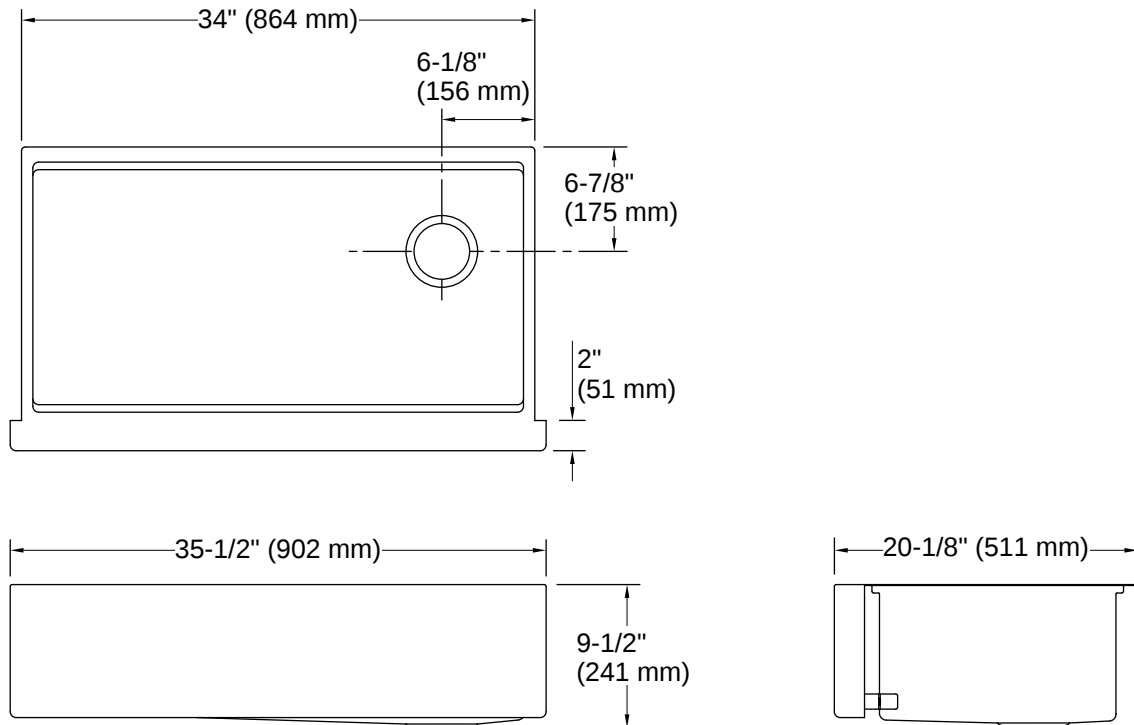


1-800-4KOHLER (1-800-456-4537)

Kohler Co. reserves the right to make revisions without notice to product specifications.

For the most current specification sheet, go to www.kohler.com USA or www.kohler.ca Canada.

4-15-2026 2:38 - US-CA



Installation

- Undermount
- Installation hardware and templates included

Installation Notes

Install this product according to the installation instructions.

"IMPORTANT! The distance from the top edge of the cabinet to the top of the cabinet door must be at least 8-15/16" (227 mm) to install this sink."

"NOTICE: Countertop manufacturer or cutter must use the cut-out template provided with the product, or a current one provided by Kohler Co. (call 1- 800-4KOHLER). Kohler Co. is not responsible for cutout errors when the incorrect cut-out template is used."

