

## Strive® | K-33655-PC

29-1/2" undermount single-bowl farmhouse workstation kitchen sink

### Features

- Fits minimum 30" (762 mm) apron sink base cabinet
- Self-Trimming® apron overlaps cabinet face for easy installation and beautiful results
- Single large bowl
- 9-1/8" (232 mm) depth provides generous workspace
- Right rear drain placement increases workspace in the sink and storage space underneath
- Rounded 3/8" (10 mm) corners are easy to clean
- SilentShield® sound-absorption technology offers quieter performance
- All included accessories nest neatly together for easy storage when not in use
- Included accessories: cutting board, drain board, colander / drying rack, soaking bin with drain, stainless steel bottom sink rack, drain cover
- Sink drain and strainer sold separately



### Sustainability



### Available Colors/Finishes

*Color tiles intended for reference only.*

NA Stainless Steel



## Codes/Standards

ASME A112.19.3/CSA B45.4

---

## Technical Information

*All product dimensions are nominal.*

Drain Hole Diameter:	3-3/4" (94 mm)
Minimum Base Cabinet Width:	30" (762 mm)
Basin Configuration:	Single Bowl
Basin Length:	26-1/2" (673 mm)
Basin Width:	15-9/16" (395 mm)
Basin Depth:	9-1/8" (232 mm)

---

## Material

- Premium 16-gauge stainless steel
- 

## Recommended Products/Accessories

K-35484 Three-piece workstation prep bowl set

K-35487 Three-piece ice bucket set

K-35489 Professional-style cutting board

K-35491 Marble serving tray

K-35488 Ice bucket holder

K-37917-WAL Colander

K-37918-WAL Soaking bin

K-37922-WAL Three-piece salad bowl set

K-37923-WAL Pot rack

K-37914-WAL Three-piece workstation sink prep bowl set

---

## Warranty

*See website for detailed warranty information.*

KOHLER® Stainless Steel Sinks Lifetime Limited Warranty

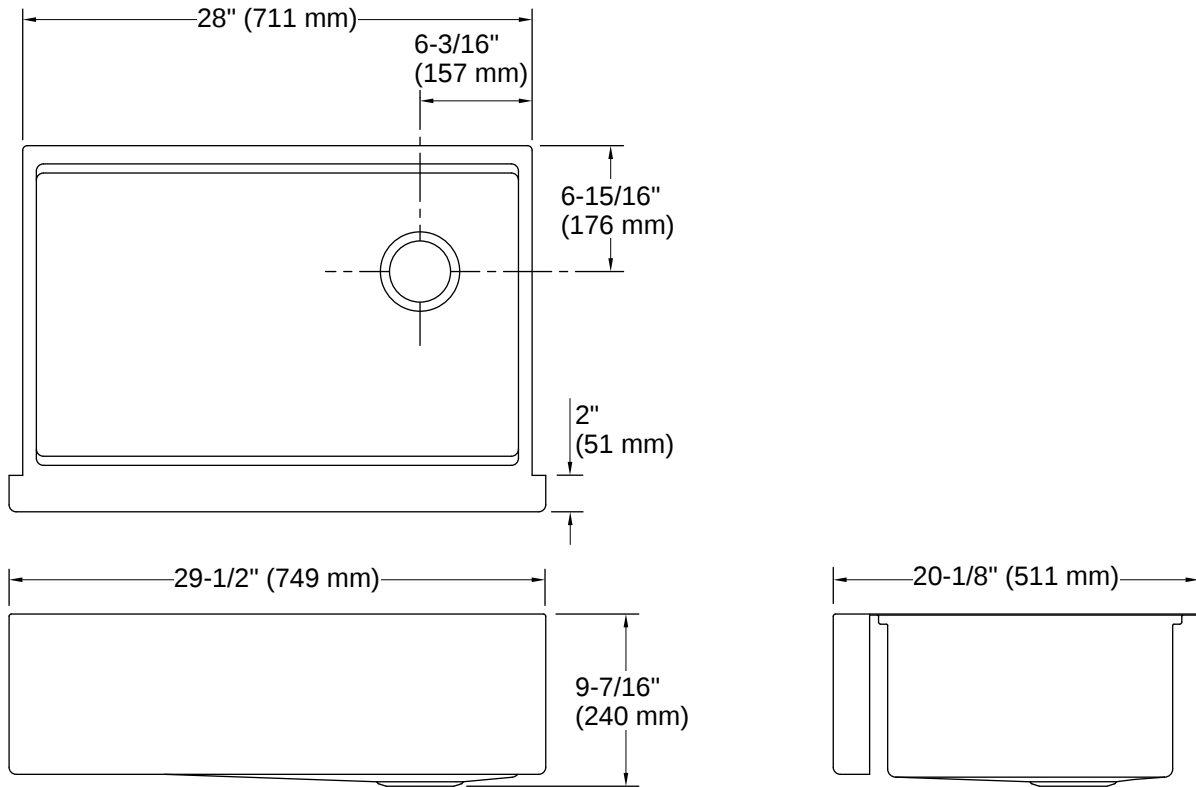


1-800-4KOHLER (1-800-456-4537)

Kohler Co. reserves the right to make revisions without notice to product specifications.

For the most current specification sheet, go to [www.kohler.com](http://www.kohler.com) USA or [www.kohler.ca](http://www.kohler.ca) Canada.

4-15-2026 2:38 - US-CA



## Installation

- Undermount
- Installation hardware and templates included

## Installation Notes

*Install this product according to the installation instructions.*

"IMPORTANT! The distance from the top edge of the cabinet to the top of the cabinet door must be at least 8-15/16" (227 mm) to install this sink."

"NOTICE: Countertop manufacturer or cutter must use the cut-out template provided with the product, or a current one provided by Kohler Co. (call 1- 800-4KOHLER). Kohler Co. is not responsible for cutout errors when the incorrect cut-out template is used."

