



# Staccato™ | K-3363-1

20" top-mount single-bowl bar sink

## Features

- 22" (559 mm) minimum base cabinet width
- Single bowl
- 8" (203 mm) depth
- Single faucet hole
- Includes installation hardware



## Sustainability



## Available Colors/Finishes

*Color tiles intended for reference only.*

NA Stainless Steel



1-800-4KOHLER (1-800-456-4537)  
Kohler Co. reserves the right to make revisions without notice to product specifications.  
For the most current specification sheet, go to [www.kohler.com](http://www.kohler.com) USA or [www.kohler.ca](http://www.kohler.ca) Canada.  
4-15-2026 3:49 - US-CA

THE BOLD LOOK  
OF **KOHLER**

---

## Codes/Standards

*ADA compliant when installed to the specific requirements of these regulations.*

*ADA permits a parallel approach to wet bars.*

ADA

ASME A112.19.3/CSA B45.4

ADA

ICC/ANSI A117.1

---

## Technical Information

*All product dimensions are nominal.*

Number of Deck Holes:	1
Faucet Hole(s) Size:	1-7/16" (37 mm)
Center(s):	8" (203 mm)
Drain Hole Diameter:	3-5/8" (92 mm)
Basin Configuration:	Single Bowl
Basin Length:	16-1/8" (410 mm)
Basin Width:	13-9/16" (345 mm)
Basin Depth:	8" (203 mm)
Cutout:	Top-mount, 19-1/2" x 1" (495 mm x 25 mm) with 19-1/2" (495 mm) radius corners

---

## Material

- Premium 18-gauge stainless steel
- 

## Recommended Products/Accessories

K-23726 Drain treatment

K-23729 Stainless steel cleaner

K-8801 Sink drain and strainer with tailpiece

K-8799 Sink drain and strainer basket, less tailpiece

---

## Warranty

*See website for detailed warranty information.*

KOHLER® One-Year Limited Warranty

---

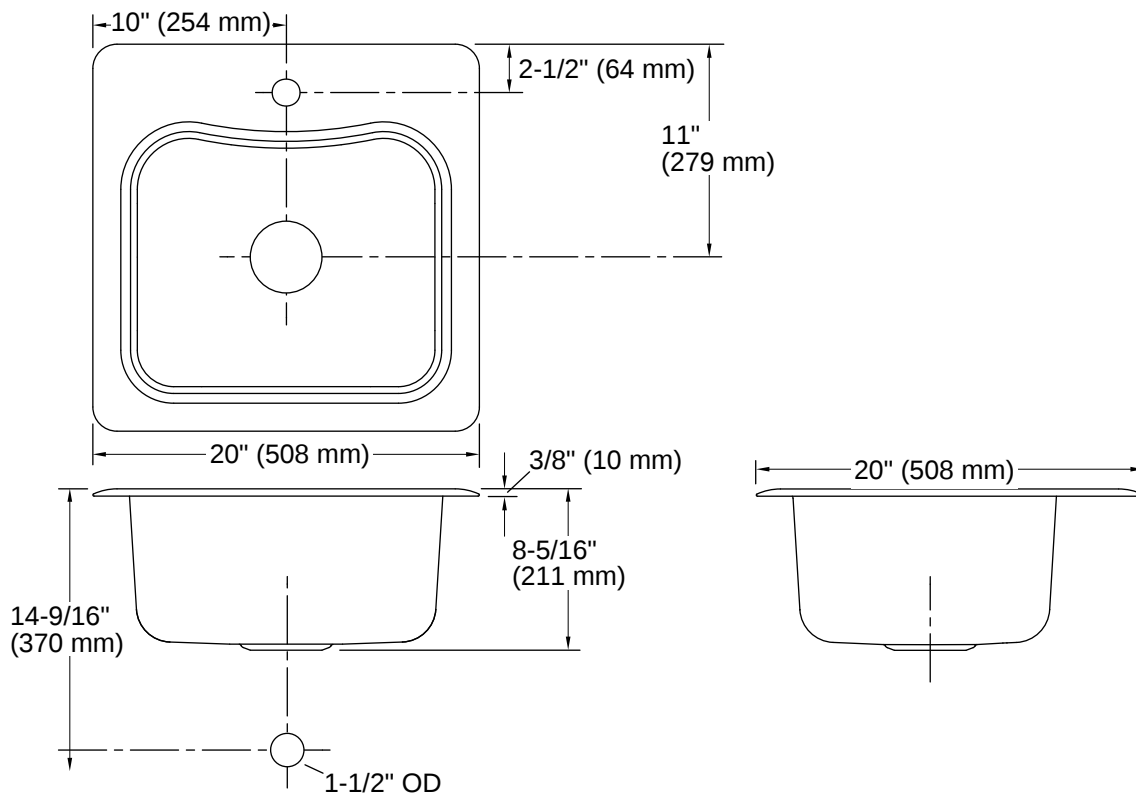


1-800-4KOHLER (1-800-456-4537)

Kohler Co. reserves the right to make revisions without notice to product specifications.

For the most current specification sheet, go to [www.kohler.com](http://www.kohler.com) USA or [www.kohler.ca](http://www.kohler.ca) Canada.

4-15-2026 3:49 - US-CA



## Installation

- Top-mount

## Installation Notes

*Install this product according to the installation instructions.*

ADA compliant when installed to the specific requirements of these regulations.

ADA permits a parallel approach to wet bars.

