

## K-33425

36" extension kit for 2-1/2" linear drain channel

### Features

- Extends drain channel length by up to 36", from 60" to 96", for precise wall-to-wall installation
- Increases the standard drain's flow capacity from 15 gpm (56.8 lpm) to 30 gpm (113.4 lpm). Rate may vary by installation
- Drain outlet location can be adjusted to bypass joints, venting, or other in-floor obstacles
- Outlet adapter can be preattached to drain pipe for simplified installation and access to couplings
- Easy-clean domed hair strainer prevents clogs
- Subfloor brackets are height-adjustable to ensure the drain channel is mounted at the correct height during installation
- Wide-top flange with protective film ensures excellent waterproof adhesion
- Can also be installed with KOHLER side-outlet adapter K-28987 (sold separately)
- Requires at least two Kohler 2-1/2" x 36", 2-1/2" x 48", or 2-1/2" x 60" linear drain grates to span desired final drain length



## Codes/Standards

ASME A112.18.2/CSA B125.2

---

## Material

- Solid stainless steel and brass construction
  - KOHLER finishes resist corrosion and tarnishing
- 

## Required Products/Accessories

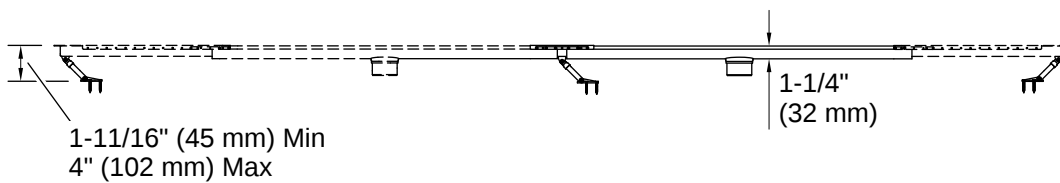
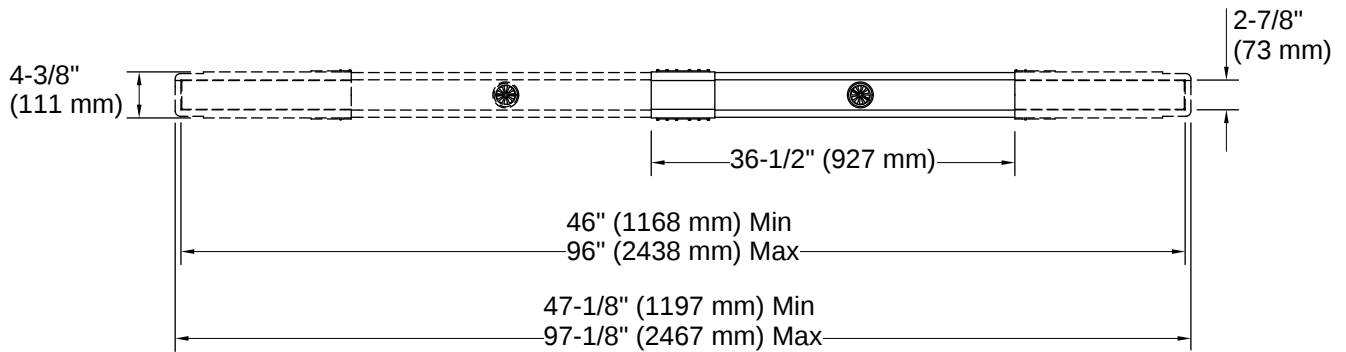
- K-80646 2-1/2" x 36"-60" linear drain channel
- 

## Warranty

*See website for detailed warranty information.*

KOHLER® One-Year Limited Warranty





## Installation

- Designed for installation with KOHLER K-80646 2-1/2" x 36"- 60" linear drain channel (sold separately)
- Through-the-floor, installed with tile

## Installation Notes

*Install this product according to the installation instructions.*

