



Undertone[®] Lyric[®] | K-3341

18-1/2" top-/undermount single-bowl bar sink

Features

- 24" (610 mm) minimum base cabinet width
- Single bowl
- 7-1/2" (191 mm) depth
- Includes installation hardware



Sustainability



Available Colors/Finishes

Color tiles intended for reference only.

 NA Stainless Steel



1-800-4KOHLER (1-800-456-4537)
Kohler Co. reserves the right to make revisions without notice to product specifications.
For the most current specification sheet, go to www.kohler.com USA or www.kohler.ca Canada.
4-15-2026 5:22 - US-CA

THE BOLD LOOK
OF **KOHLER**

Codes/Standards

ADA compliant when installed to the specific requirements of these regulations.

ADA permits a parallel approach to wet bars.

ADA

ASME A112.19.3/CSA B45.4

ADA

ICC/ANSI A117.1

Technical Information

All product dimensions are nominal.

Drain Hole Diameter: 3-5/8" (92 mm)

Minimum Base Cabinet Width: 24" (610 mm)

Basin Configuration: Single Bowl

Material

- Premium 18-gauge stainless steel
-

Recommended Products/Accessories

K-23726 Drain treatment

K-23729 Stainless steel cleaner

K-8801 Sink drain and strainer with tailpiece

K-8799 Sink drain and strainer basket, less tailpiece

Warranty

See website for detailed warranty information.

KOHLER® Stainless Steel Sinks Lifetime Limited Warranty

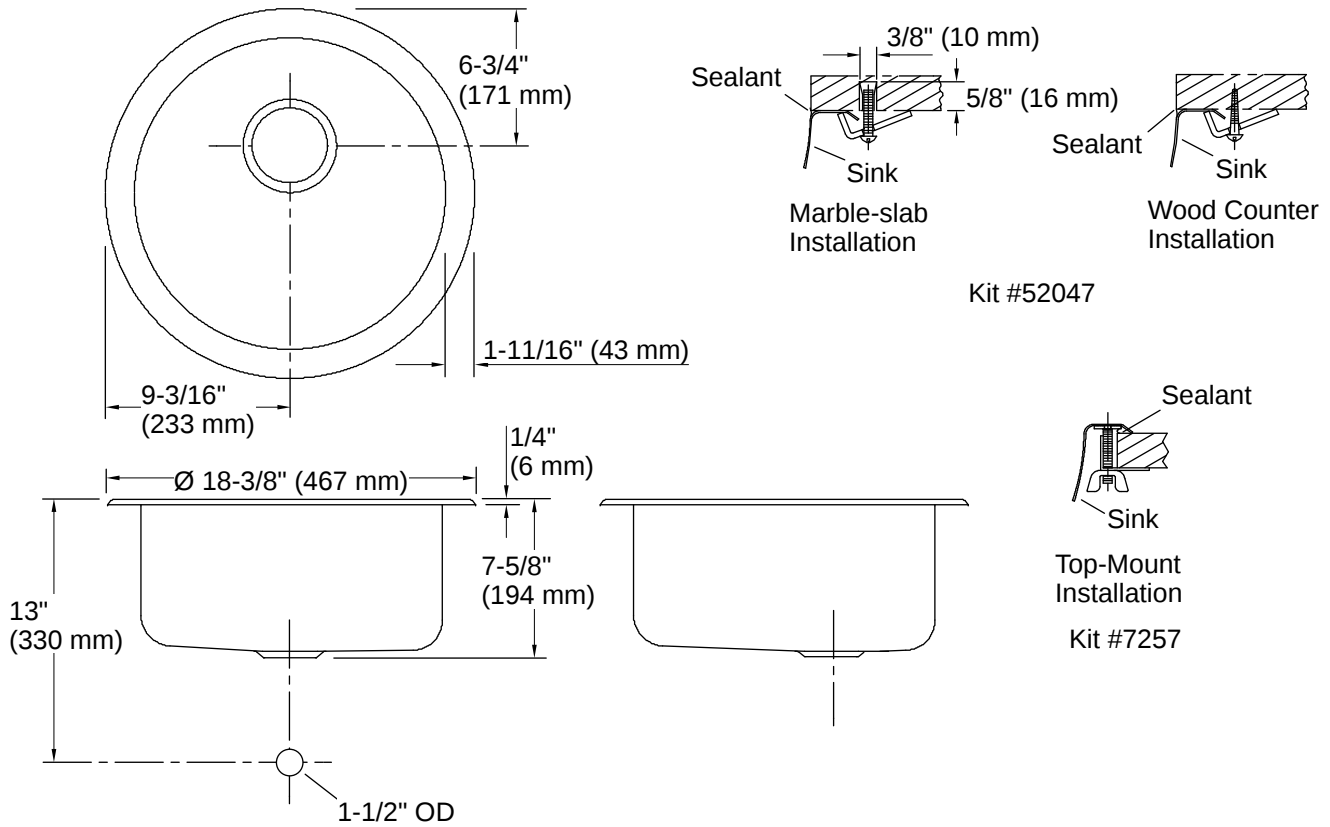


1-800-4KOHLER (1-800-456-4537)

Kohler Co. reserves the right to make revisions without notice to product specifications.

For the most current specification sheet, go to www.kohler.com USA or www.kohler.ca Canada.

4-15-2026 5:22 - US-CA



Installation

- Undermount

Installation Notes

Install this product according to the installation instructions.

Supplied bowl clamp assemblies require 1" (25 mm) minimum countertop thickness. Installer must supply hardware for thinner countertops.

For multiple bowl under-mount installations, a minimum distance of 3-1/2" (89 mm) is required between bowls.

Countertop supplier to determine required support.

Waterproof unprotected overhang area of the underside of wood counter.

ADA compliant when installed to the specific requirements of these regulations.

ADA permits a parallel approach to wet bars.

