

## Alouette™ | K-33268

48" bathroom vanity cabinet with sink and quartz top

### Features

- Set includes cabinet, precut quartz vanity top, backsplash, sink, Pinstripe® cabinet hardware in Vibrant® Brushed Nickel
- Rectangular vitreous china sink preinstalled on vanity top to simplify installation
- Vanity top has single faucet hole with knock-out holes for optional 8" (203 mm) widespread faucet configuration
- Push-to-open tip-out drawer conveniently stores small, frequently used items
- Two doors with one adjustable shelf for personalized organization
- Full-extension 14-3/4" (375 mm) top drawers
- Full-extension 16-3/4" (425 mm) deep bottom drawers provide ample storage
- Soft-close doors prevent slamming
- Solid wood drawers with dovetail construction
- Removable dividers in top drawer to personalize drawer organization
- Cabinet includes leg levelers to accommodate uneven floors
- Coordinates with Bianco Bella (GBB) quartz side splash (sold separately)
- Includes optional finish-matched filler strip to close gap between vanity and wall if installed adjacent to wall
- Bianco Bella (GBB) quartz vanity top and backsplash add beauty and long-lasting durability



### Available Colors/Finishes

*Color tiles intended for reference only.*

- DWG Ferrous Grey
- WEK Light Oak



---

## Codes/Standards

ASME A112.19.2/CSA B45.1  
EPA TSCA Title VI/CARB P2

---

## Technical Information

*All product dimensions are nominal.*

Lighting Included: No  
Number of Deck Holes: 1

---

## Material

- Solid wood and moisture-resistant MDF
  - Vitreous china sink
  - Quartz vanity top and backsplash
- 

## Recommended Products/Accessories

K-38554 4" x 21-11/16" quartz side splash

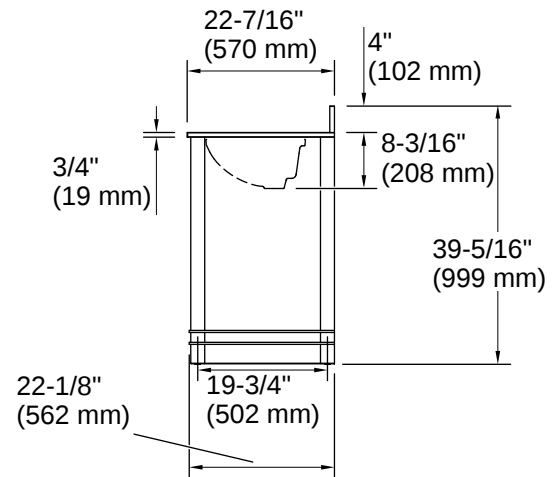
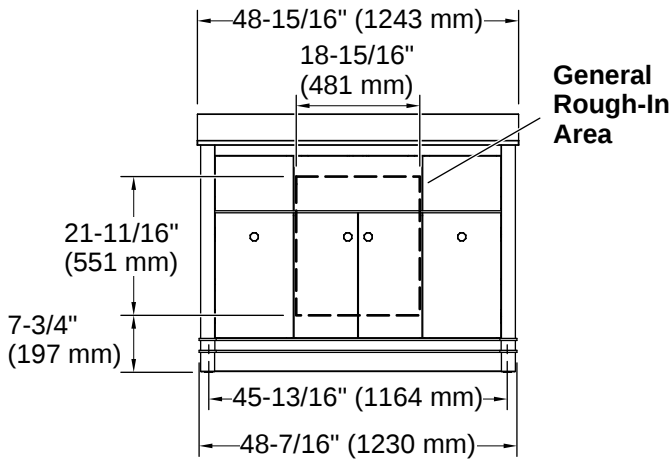
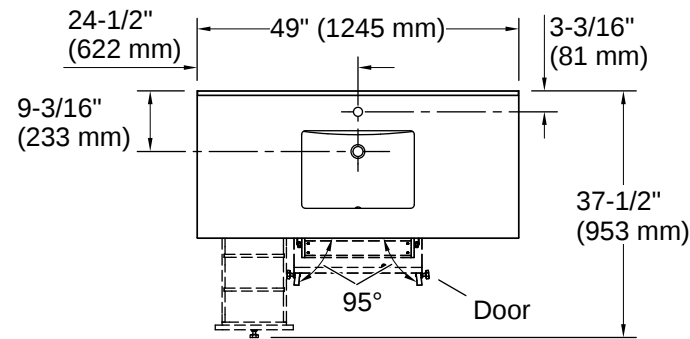
---

## Warranty

*See website for detailed warranty information.*

KOHLER® One-Year Limited Warranty





## Installation

- Countertop with preattached basin must be sealed to cabinet and backsplash needs to be attached
- Includes mounting hardware

## Installation Notes

Install this product according to the installation instructions.

