



Invigoration[®] Series | K-32325

7 kW steam generator

Features

- Fast-Response[®] technology produces a luxurious steam shower in 60 seconds
- Power Clean[™] technology offers one-touch automatic cleaning and safe maintenance
- Constant Steam feature produces steam at a consistent rate, which greatly minimizes temperature fluctuations
- Invigoration Series steam generators use approximately one gallon of water per 20-minute session, which is significantly less water than a traditional shower experience
- 112 cubic feet maximum volume rating for custom showering applications
- To ensure safety, system automatically shuts down after 20 minutes if not reactivated by user
- Requires K-5557 Invigoration Series steam generator control kit with round steam head or K-5548-K1 Invigoration Series digital steam adapter kit with round steam head. Or pair K-32312 Invigoration Series steam controller or K-32311 Invigoration Series digital steam adapter with choice of K-32310 Invigoration Series square steam head or K-32309 Invigoration Series linear steam head (all sold separately)



Codes/Standards

CSA C22.2 No. 64

Technical Information

All product dimensions are nominal.

Recommended Feed Water Quality

Water Hardness: 60 ppm (4 gpg)

Total Water Alkalinity: 150 ppm

Material

- Generator is constructed of insulated stainless steel, which maintains the temperature while ensuring case is safe to the touch
-

Required Electrical Service

One dedicated circuit required.

Steam Generator: 240 V, 50 A, 50/60 Hz

Electrical Component Ratings

Steam Generator: 240 V, 50 A, 50/60 Hz

Warranty

See website for detailed warranty information.

KOHLER® Steam Generator Three-Year Limited Warranty

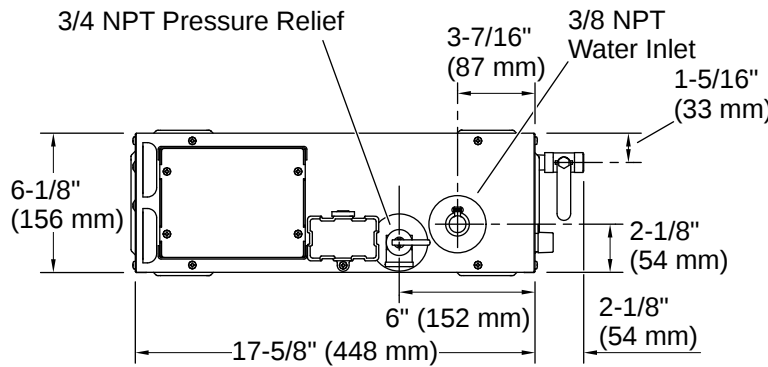


1-800-4KOHLER (1-800-456-4537)

Kohler Co. reserves the right to make revisions without notice to product specifications.

For the most current specification sheet, go to www.kohler.com USA or www.kohler.ca Canada.

4-15-2026 6:51 - US-CA

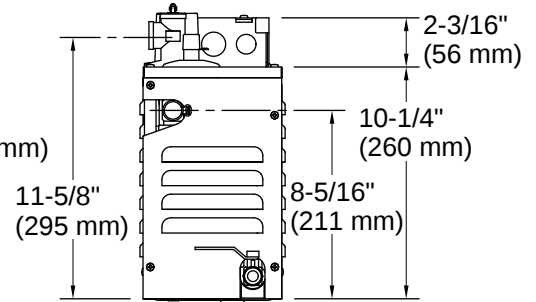
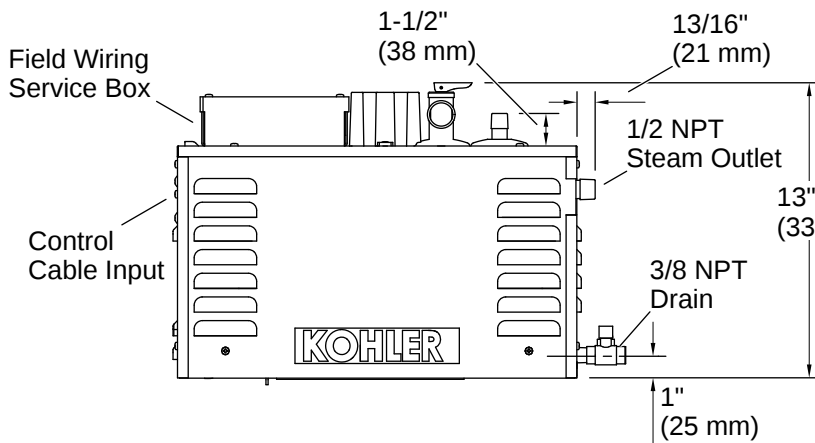


Minimum required access panel is 24" (610 mm) L x 15" (381 mm) H.

Allow for a minimum of 6" (153 mm) of space around all sides of the steam generator, with the following exception: The side opposite of the pressure relief valve may be installed against a wall.

Allow for the drain/spill pan.

KOHLER® drain pan (shown) sold separately.



Installation Notes

Install this product according to the installation instructions.

To ensure proper operation, the feed water supply should be tested prior to operating the steam generator. If the feed water quality is not within the specific limit, contact a reputable water treatment company for treatment options.

