



# Invigoration® Series | K-32324

5 kW steam generator

## Features

- Fast-Response® technology produces a luxurious steam shower in 60 seconds
- Power Clean™ technology offers one-touch automatic cleaning and safe maintenance
- Constant Steam feature produces steam at a consistent rate, which greatly minimizes temperature fluctuations
- Invigoration Series steam generators use approximately one gallon of water per 20-minute session, which is significantly less water than a traditional shower experience
- To ensure safety, system automatically shuts down after 20 minutes if not reactivated by user
- 84 cubic feet maximum volume rating for custom showering applications
- Requires K-5557 Invigoration Series steam generator control kit with round steam head or K-5548-K1 Invigoration Series digital steam adapter kit with round steam head. Or pair K-32312 Invigoration Series steam controller or K-32311 Invigoration Series digital steam adapter with choice of K-32310 Invigoration Series square steam head or K-32309 Invigoration Series linear steam head (all sold separately)



---

## Codes/Standards

CSA C22.2 No. 64

---

## Technical Information

*All product dimensions are nominal.*

### Recommended Feed Water Quality

Water Hardness: 60 ppm (4 gpg)

Total Water Alkalinity: 150 ppm

---

## Material

- Generator is constructed of insulated stainless steel, which maintains the temperature while ensuring case is safe to the touch
- 

## Required Electrical Service

One dedicated circuit required.

Steam Generator: 240 V, 40 A, 50/60 Hz

## Electrical Component Ratings

Steam Generator: 240 V, 40 A, 50/60 Hz

---

## Warranty

*See website for detailed warranty information.*

KOHLER® Steam Generator Three-Year Limited Warranty

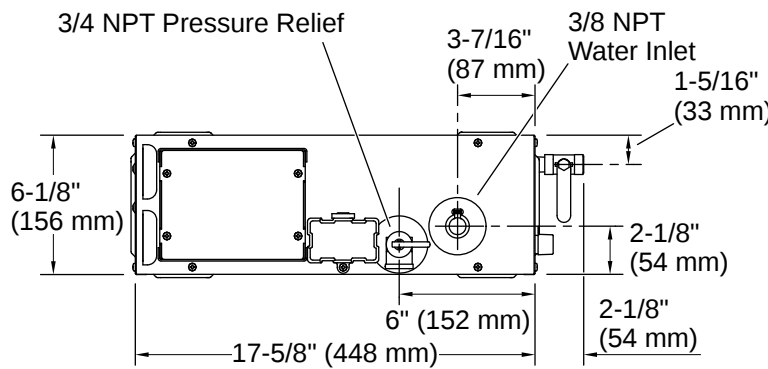


1-800-4KOHLER (1-800-456-4537)

Kohler Co. reserves the right to make revisions without notice to product specifications.

For the most current specification sheet, go to [www.kohler.com](http://www.kohler.com) USA or [www.kohler.ca](http://www.kohler.ca) Canada.

4-15-2026 6:51 - US-CA

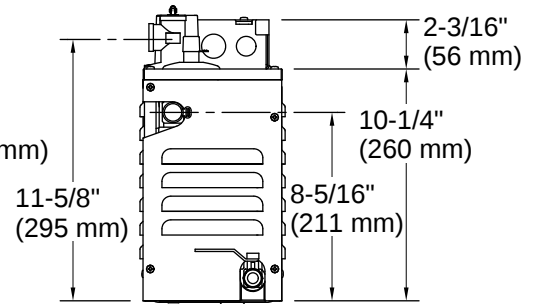
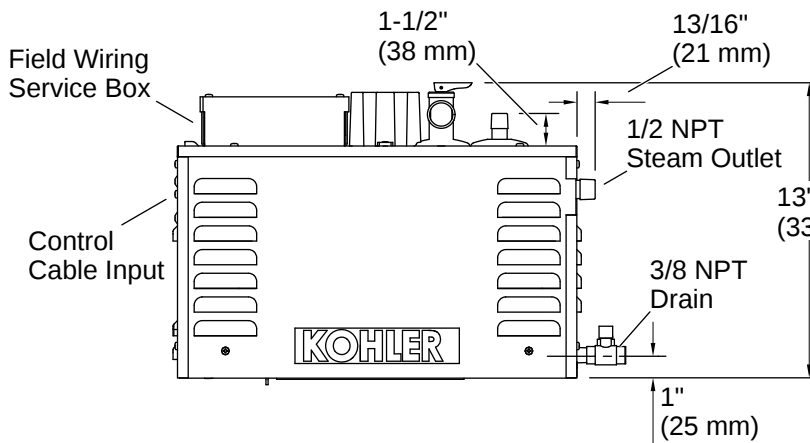


Minimum required access panel is 24" (610 mm) L x 15" (381 mm) H.

Allow for a minimum of 6" (153 mm) of space around all sides of the steam generator, with the following exception: The side opposite of the pressure relief valve may be installed against a wall.

Allow for the drain/spill pan.

KOHLER® drain pan (shown with support blocks) sold separately.



## Installation Notes

*Install this product according to the installation instructions.*

To ensure proper operation, the feed water supply should be tested prior to operating the steam generator. If the feed water quality is not within the specific limit, contact a reputable water treatment company for treatment options.

