



Landshapes® by Daniel Arsham | K-32308

37" Dekton® vanity top

Features

- Designed in collaboration with Daniel Arsham
- For use with Landshapes™ by Daniel Arsham 36" (914 mm) bathroom vanity cabinet (sold separately)
- Sink cutout designed to pair with Landshapes™ by Daniel Arsham 21-1/2" (545 mm) vessel sink (sink sold separately)
- Flat, square edges give a crisp, finished look
- This product is covered under the Silestone® 25-Year Limited Warranty
- Coordinates with other products in the Landshapes™ by Daniel Arsham collection



1-800-4KOHLER (1-800-456-4537)
Kohler Co. reserves the right to make revisions without notice to product specifications.
For the most current specification sheet, go to www.kohler.com USA or www.kohler.ca Canada.
4-15-2026 2:40 - US-CA

THE BOLD LOOK
OF **KOHLER**®

Codes/Standards

None Applicable

Material

- Dekton® porcelain
-

Recommended Products/Accessories

K-32131 69-1/2" x 34-1/2" freestanding bath
K-32300 21-1/2" oval vessel bathroom sink, no overflow
K-32298 36" bathroom vanity cabinet
K-32263 Triangular cabinet knob
K-34748 Oval cabinet knob
K-T77981-CLG Wall-mount bathroom sink faucet handle trim
K-5401-DA One-piece elongated smart toilet, dual-flush
K-32693-SCLED One-light LED sconce
K-32694-SCLED One-light LED sconce
K-32695-PELED 14-3/4" pendant
K-32317 27" x 39" framed mirror
K-32320 38" x 60" framed mirror

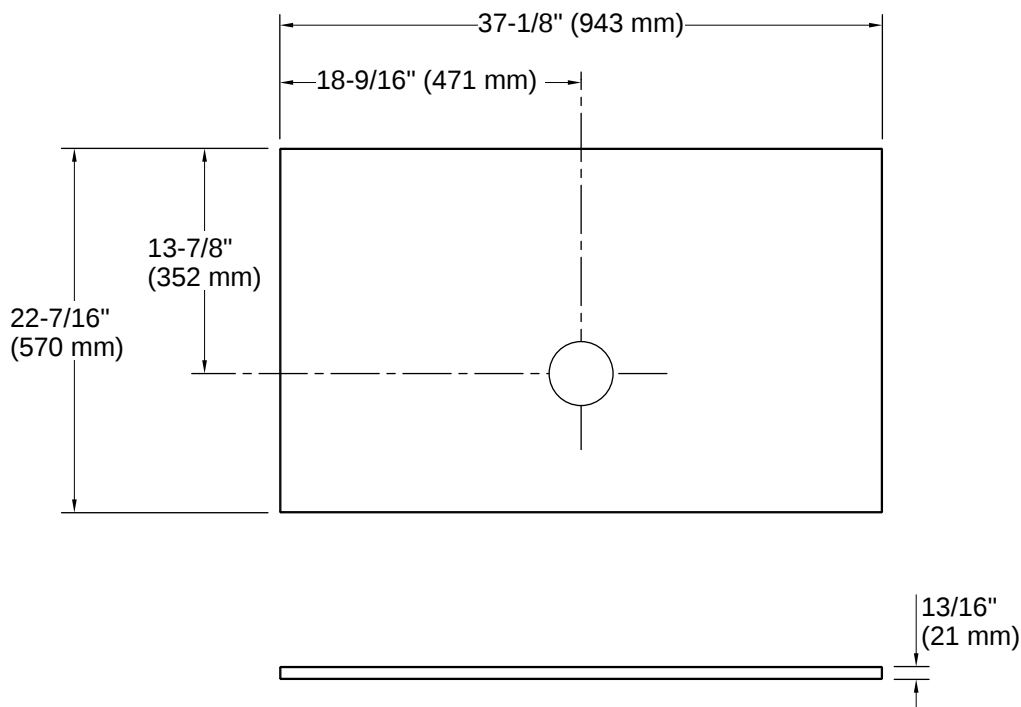
Warranty

See website for detailed warranty information.

Silestone® 25-Year Limited Warranty



1-800-4KOHLER (1-800-456-4537)
Kohler Co. reserves the right to make revisions without notice to product specifications.
For the most current specification sheet, go to www.kohler.com USA or www.kohler.ca Canada.
4-15-2026 2:40 - US-CA



Installation Notes

Install this product according to the installation instructions.

If installing the Landshapes™ by Daniel Arsham vanity, vanity top, and vessel sink together, the bathroom sink drain outlet must be installed 28" (711 mm) or higher from the floor.

