

Spacity® | K-32171-ASB

36" wall-hung bathroom vanity cabinet with sink and quartz top

Features

- Set includes cabinet, precut quartz vanity top, sink, cabinet hardware, and vanity legs
- Contemporary cabinetry features unique fluted paneling
- Two full-extension soft-close drawers with integrated pull handles
- Optional vanity legs give cabinet an elevated look
- Vanity top provides complete overhanging coverage of cabinetry
- Vanity top has 8" (203 mm) widespread faucet holes
- 442007-U Stinson® 20-3/16" (513 mm) rectangular undermount bathroom sink
- Rear drain placement increases vanity cabinet storage space underneath
- Three-hole front overflow
- Pairs with divided drawer organizer and drawer organizer set to sort small items (sold separately)
- Pearl White round feet included on the White vanity and Ebony square feet included on the Dark Steel vanity
- Pure Silver hardware included on the White vanity and Titanium Frosted Black hardware included on the Dark Steel vanity
- Pure White (PWH) quartz vanity top adds beauty and long-lasting durability
- Coordinates with Pure White (PWH) quartz side splash (sold separately)



Codes/Standards

ASME A112.19.2/CSA B45.1
EPA TSCA Title VI/CARB P2

Technical Information

All product dimensions are nominal.

Lighting Included:	No
Number of Deck Holes:	3
Center(s):	8" (203 mm)

Material

- Solid wood, plywood, and moisture-resistant MDF vanity cabinet
 - Vitreous china sink
 - Aluminum drawer handles
 - Aluminum vanity legs
 - Quartz vanity top
-

Recommended Products/Accessories

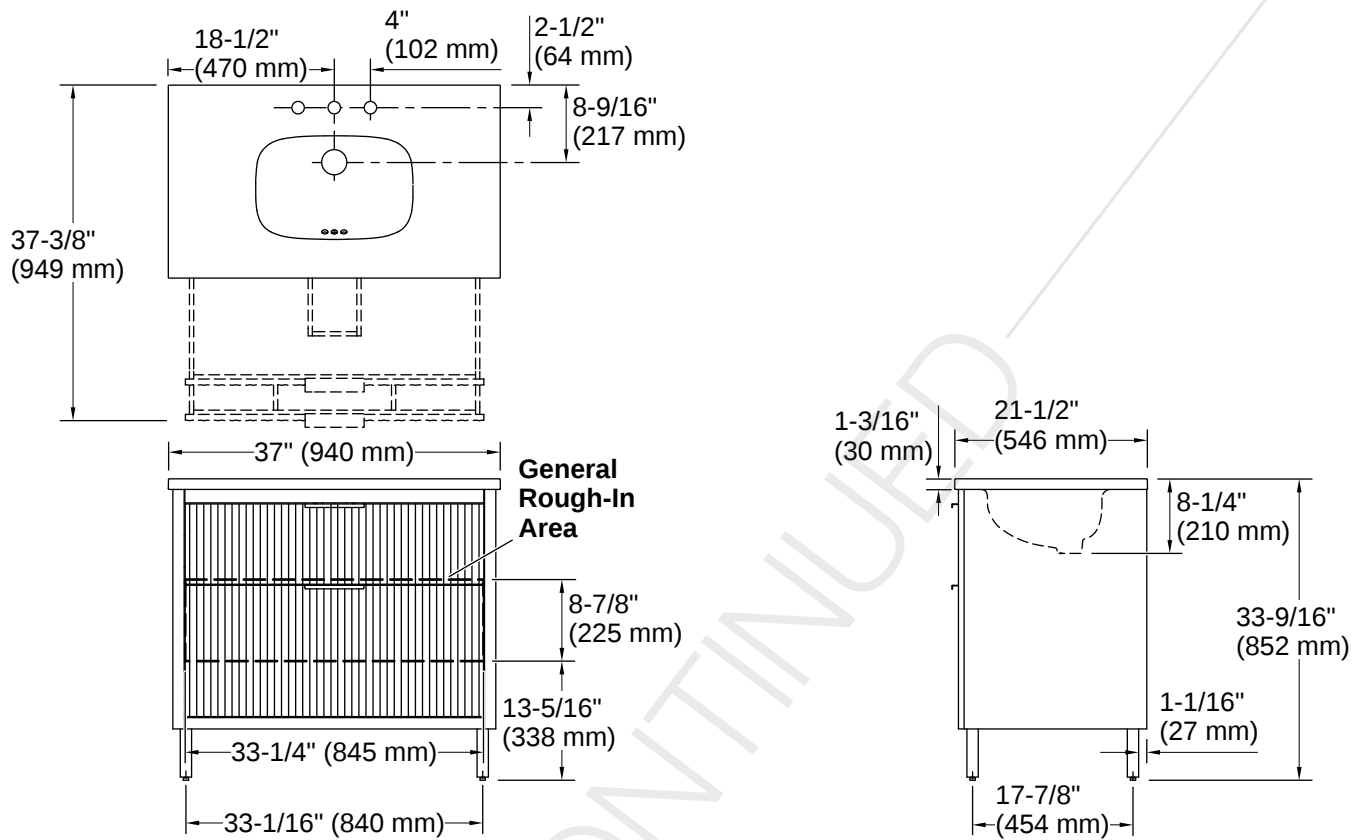
K-25819 4" x 17-1/4" quartz side splash

Warranty

See website for detailed warranty information.

KOHLER® One-Year Limited Warranty





Installation

- Wall-hung
- Installation hardware included
- Separate vanity top makes for simplified installation

Installation Notes

Install this product according to the installation instructions.

Select the type of fastener based upon the wall material. Two 500 lb (277 kg) minimum load bearing fasteners are recommended.

