



# Landshapes® by Daniel Arsham | K-32131

69-1/2" x 34-1/2" freestanding bath

## Features

- Designed in collaboration with Daniel Arsham
- Unique shape and freestanding design offer contemporary style
- 17-1/8" (435 mm) depth offers a deep soaking experience
- Integral lumbar support
- Slotted overflow allows for deep soaking
- Easy to clean and maintain
- Reversible toe-tap drain with KOHLER® Lithocast® cover
- Honed White is a matte finish with the natural appeal of smoothly honed stone



## Available Colors/Finishes

*Color tiles intended for reference only.*

- HW1 Honed White



1-800-4KOHLER (1-800-456-4537)  
Kohler Co. reserves the right to make revisions without notice to product specifications.  
For the most current specification sheet, go to [www.kohler.com](http://www.kohler.com) USA or [www.kohler.ca](http://www.kohler.ca) Canada.  
4-15-2026 6:52 - US-CA

THE BOLD LOOK  
OF **KOHLER**®

---

## Codes/Standards

CSA B45.5/IAPMO Z124  
ASTM E162  
ASTM E662

---

## Technical Information

*All product dimensions are nominal.*

Drain Location:	Reversible
Drain Hole Diameter:	2-3/16" (56 mm)
Water Depth:	17-1/8" (434 mm)
Water Capacity:	80.9 gal (306.2 L)
Minimum Floor Load:	63.8 lbs/ft <sup>2</sup>
Weight:	364 lbs (165.1 kg)

---

## Material

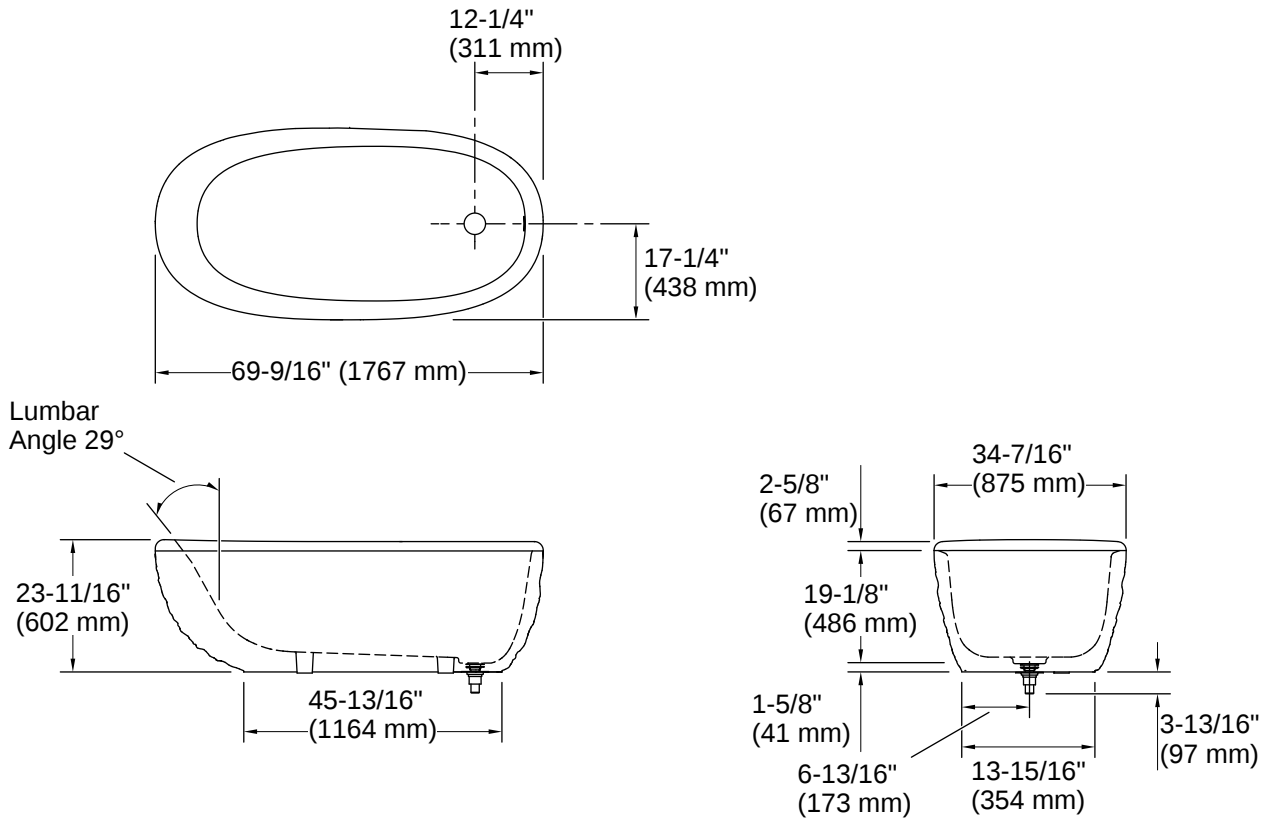
- KOHLER Lithocast®
- 

## Warranty

*See website for detailed warranty information.*

KOHLER® Plastic Baths and Shower Bases Lifetime Limited Warranty





## Installation

- Freestanding

## Installation Notes

*Install this product according to the installation instructions.*

Measure your actual product for rough-in details.

The hot water supply should be 70% of the capacity of the bath or greater. Installations will vary.

