

## Vault™ | K-32027-1

15" top-/undermount single-bowl bar sink

### Features

- 18" (457 mm) minimum base cabinet width
- Single bowl
- 5-1/2" (140 mm) depth
- Single faucet hole
- Sink rack available (sold separately)
- Includes installation hardware



### Sustainability



### Available Colors/Finishes

*Color tiles intended for reference only.*

 NA Stainless Steel



## Codes/Standards

*ADA compliant when installed to the specific requirements of these regulations.*

*ADA permits a parallel approach to wet bars.*

ADA

ASME A112.19.3/CSA B45.4

ADA

ICC/ANSI A117.1

## Technical Information

*All product dimensions are nominal.*

Number of Deck Holes:	1
Faucet Hole(s) Size:	1-7/16" (37 mm)
Drain Hole Diameter:	3-3/4" (94 mm)
Minimum Base Cabinet Width:	18" (457 mm)
Basin Configuration:	Single Bowl
Basin Length:	12-1/4" (311 mm)
Basin Width:	9-9/16" (243 mm)
Basin Depth:	5-5/16" (135 mm)

## Material

- Premium 18-gauge stainless steel
- KOHLER stainless steel sinks resist corrosion and tarnishing

## Recommended Products/Accessories

K-23726 Drain treatment

K-23729 Stainless steel cleaner

K-8801 Sink drain and strainer with tailpiece

K-8799 Sink drain and strainer basket, less tailpiece

## Warranty

*See website for detailed warranty information.*

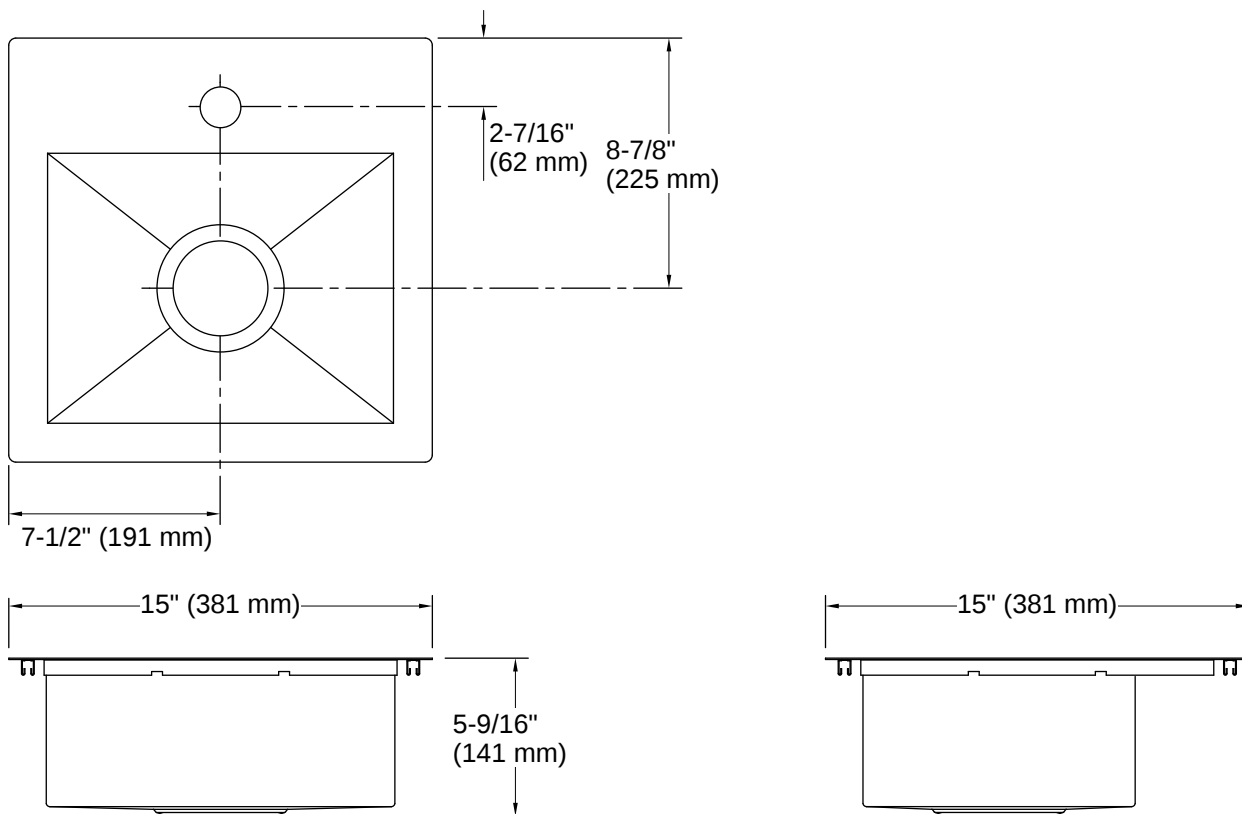
KOHLER® Stainless Steel Sinks Lifetime Limited Warranty



1-800-4KOHLER (1-800-456-4537)

Kohler Co. reserves the right to make revisions without notice to product specifications.  
For the most current specification sheet, go to [www.kohler.com](http://www.kohler.com) USA or [www.kohler.ca](http://www.kohler.ca) Canada.  
4-15-2026 6:36 - US-CA

THE BOLD LOOK  
OF **KOHLER**



## Installation

- Top-mount or undermount
- Center drain

## Installation Notes

*Install this product according to the installation instructions.*

ADA compliant when installed to the specific requirements of these regulations.

