



Mach Flex™ | K-31650

Urinal valve for concealed touchless flushometer

Features

- Valve Only. Requires KOHLER® glass or metal sensor trim plate and AC or DC power supply (each sold separately) to complete full system solution. Faceplate determines flush volume.
- Designed to be serviceable through faceplate opening
- Adjustable connections for easy installation and servicing
- Fully mechanical manual override
- Lever-handle stop valve for quick and easy water control
- Chloramine and chlorine resistance on all rubber components exposed to waterway
- 125-micron filter protects internal components
- Not for use with PEX piping due to risk of dezincification



1-800-4KOHLER (1-800-456-4537)
Kohler Co. reserves the right to make revisions without notice to product specifications.
For the most current specification sheet, go to www.kohler.com USA or www.kohler.ca Canada.
4-15-2026 6:44 - US-CA

THE BOLD LOOK
OF **KOHLER**®

Codes/Standards

ASSE 1037/ASME A112.1037/CSA B125.37

Material

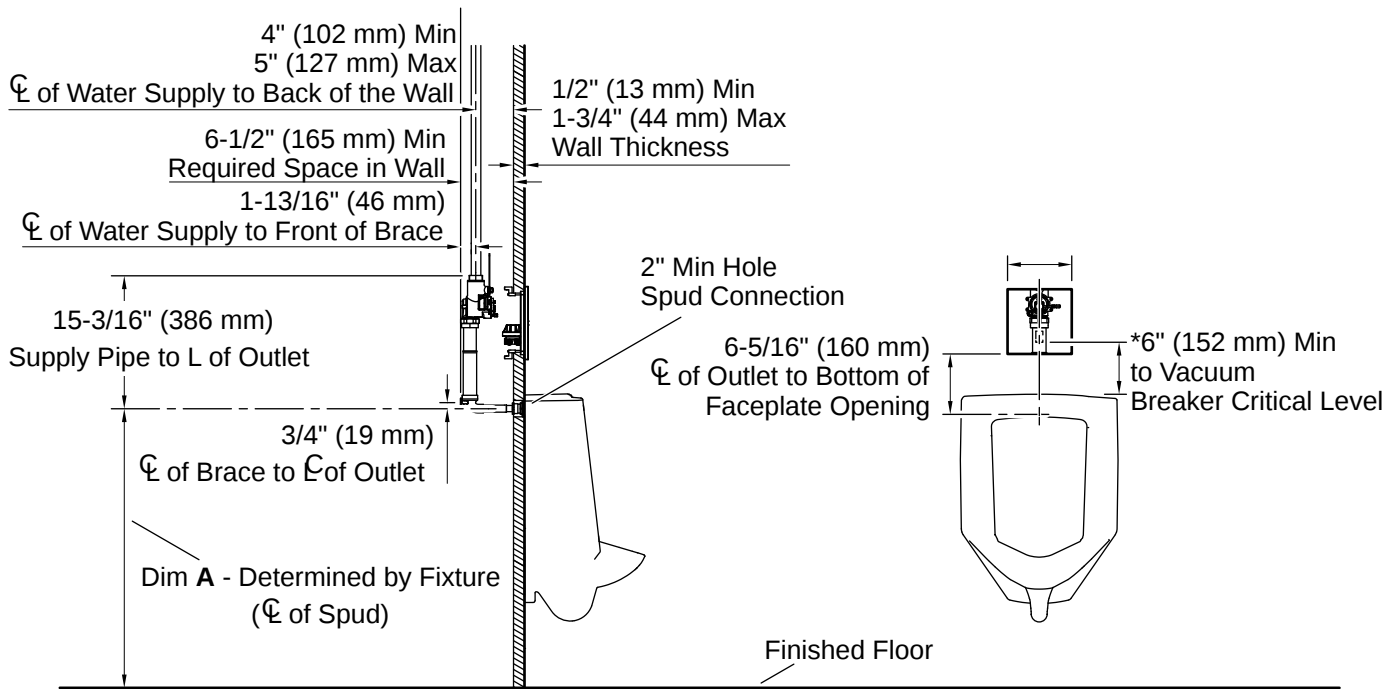
- Durable brass construction
-

Warranty

See website for detailed warranty information.

KOHLER® One-Year Limited Warranty





Installation

- Intended for urinal installations with 3/4" (19 mm) rear spud coupling connection

Installation Notes

Install this product according to the installation instructions.

