



Stillness[®] Experience | K-31405-PFET

46" x 46" freestanding bath

Features

- Freestanding design creates a striking focal point in your bathing area
- 23-5/8" (600 mm) depth offers a deep soaking experience
- Integral lumbar support
- PerfectFill™ technology conveniently fills the bathtub from the bottom; no bath faucet or filler necessary
- Integrated drain and overflow
- Experience tower creates a sensory experience with programmable light, fog, and aroma settings
- Three stainless steel aroma wells allow essential oils to be infused into the fog for a customized aromatherapy experience
- AutoFill feature closes drain and fills bath to desired level and temperature; no monitoring necessary
- Remote control
- Freestanding bath stool handcrafted from Japanese Hinoki wood assures easy access to your bath (sold separately)



Codes/Standards

CSA B45.5/IAPMO Z124
 ASTM E162
 ASTM E662
 UL 1795
 CSA C22.2 No. 218.2
 cUL Listed
 UL Listed

Technical Information

All product dimensions are nominal.

Lighting Included:	Yes
Drain Location:	Center
Drain Hole Diameter:	8-3/8" (213 mm)
Basin Area, Bottom:	38-15/16" x 38-15/16" (988 mm x 988 mm)
Basin Area, Top:	39-7/8" x 39-7/8" (1012 mm x 1012 mm)
Water Depth:	23-5/8" (600 mm)
Water Capacity:	111.5 gal (422.1 L)
Weight:	287 lbs (130.2 kg)

Material

- Acrylic

Recommended Products/Accessories

K-31409 Freestanding bath stool

Required Electrical Service

Two circuits required, protected with Class A Ground-Fault Circuit-Interrupter (GFCI). Outside North America, this device may be known as a Residual Current Device (RCD).

Thermostatic valve:	120 V, 15 A, 60 Hz
Controller module:	120 V, 15 A, 60 Hz

Electrical Component Ratings

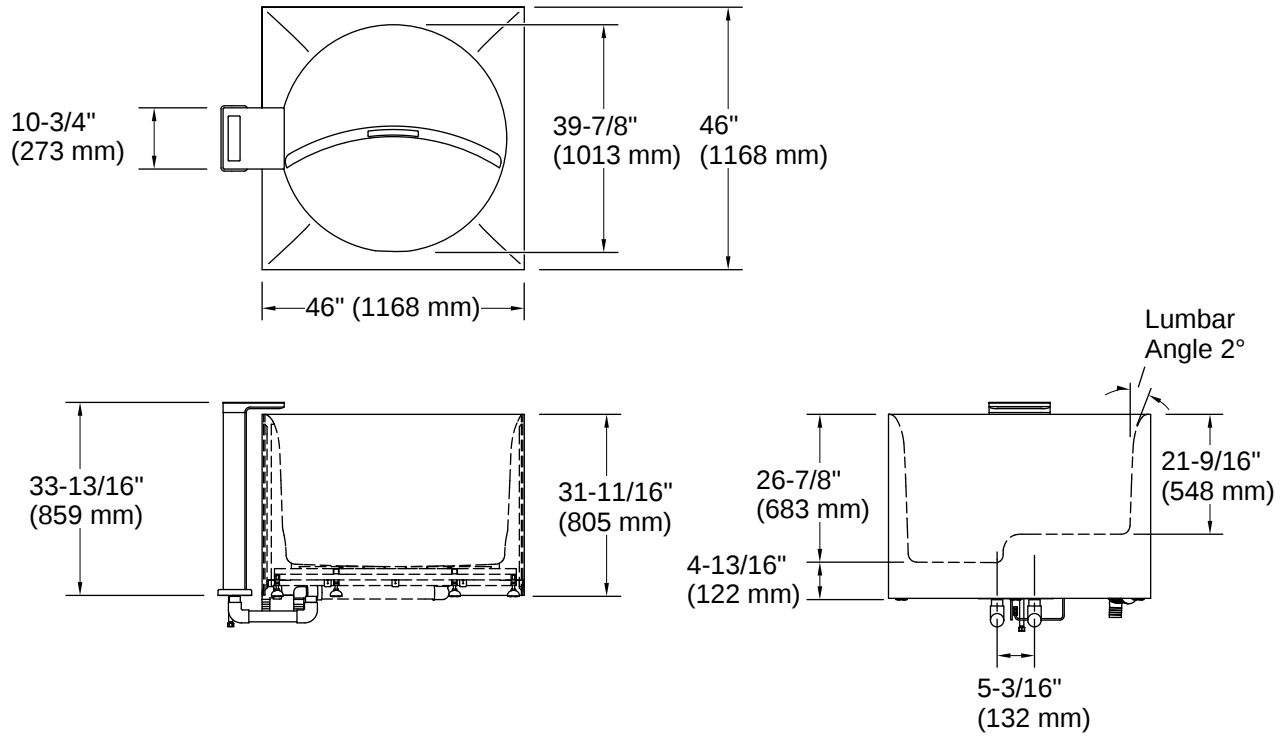
Thermostatic valve:	120 V, .16 A, 60 Hz
Controller module:	120 V, 1.13 A, 60 Hz

Warranty

See website for detailed warranty information.

KOHLER® Plastic Baths and Shower Bases Lifetime Limited Warranty|KOHLER® Hydrotherapy Components Five-Year Limited Warranty





Installation

- Freestanding

Installation Notes

Install this product according to the installation instructions.

Measure your actual product for rough-in details.

The hot water supply should be 70% of the capacity of the bath or greater. Installations will vary.

Open Air Floor Drain Connection Required For Tower Water Outlet.

