

Iron/Impressions® | K-3048-8

25" Enameled cast iron vanity top with integrated round sink

Features

- 8" (203 mm) widespread faucet holes
- Round basin



Sustainability



Available Colors/Finishes

Color tiles intended for reference only.

0	White
FF	Sea Salt
96	Biscuit
NY	Dune
95	Ice Grey
FT	Basalt
R1	Roussillon Red
7	Black Black
GRL	Lavender Grey
DGB	Indigo Blue
PLM	Black Plum



Codes/Standards

ASME A112.19.1/CSA B45.2

Technical Information

Number of Deck Holes:	3
Faucet Hole(s) Size:	1-3/8" (35 mm)
Center(s):	8" (203 mm)
Drain Hole Diameter:	1-3/4" (44 mm)
Basin Configuration:	Single Bowl

Material

- KOHLER® enameled cast iron
-

Recommended Products/Accessories

K-23726 Drain treatment

K-9018 Adjustable P-trap with long tubing outlet, 1-1/4" x 1-1/4"

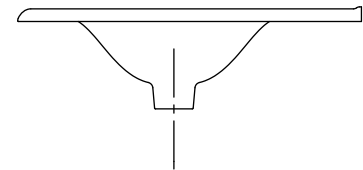
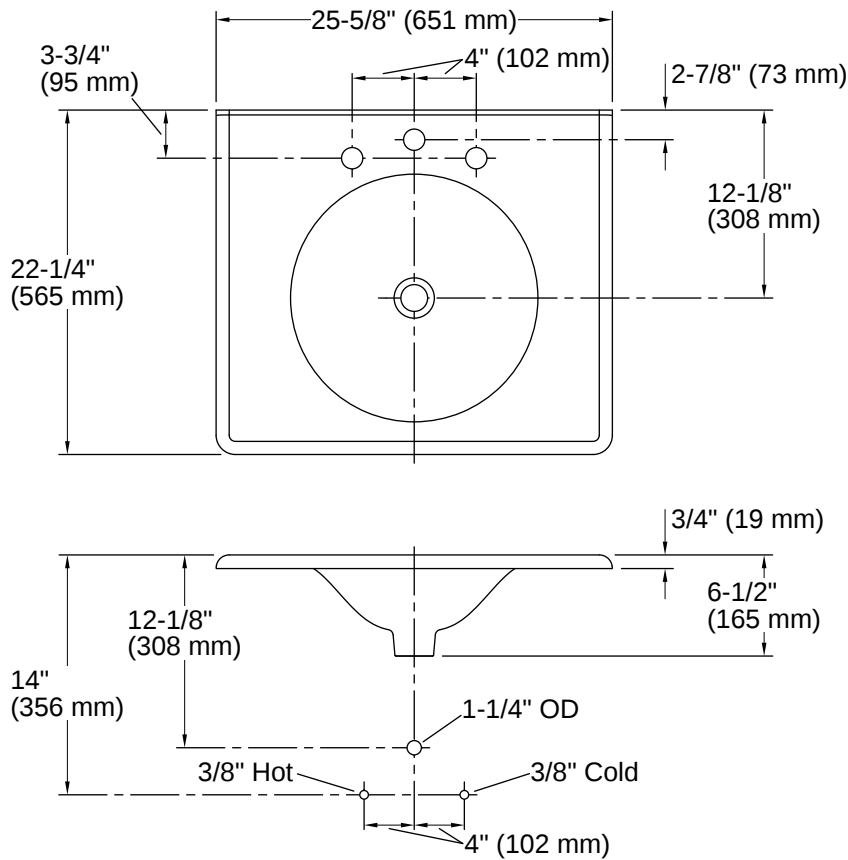
K-23725 Cast iron cleaner

Warranty

See website for detailed warranty information.

KOHLER® Enameled Cast Iron Kitchen and Bathroom Sink Lifetime Limited Warranty





Installation

- Vanity top

Installation Notes

Install this product according to the installation instructions.

NOTE: When selecting a faucet for this lavatory, ensure the faucet has a spout reach of 4-1/2" (114 mm) to 5" (127 mm) and has a spout height of 3" (76 mm) to 6" (152 mm).
Product does not have an overflow.

