



# Dutchmaster Blush Floral™ Carillon® | K-30333-DM1

17-3/4" round drop-in bathroom sink, no overflow


## Features

- Decorated with a dramatic floral pattern on black background
- Produced in collaboration with artist-photographer Ashley Woodson Bailey (AWB™)
- Round basin with subtle lift at edges
- Wading pool design accommodates a wide variety of faucets
- No faucet holes; requires wall- or counter-mount faucet



## Available Colors/Finishes

*Color tiles intended for reference only.*

 DM1-0 Blush Floral



1-800-4KOHLER (1-800-456-4537)  
Kohler Co. reserves the right to make revisions without notice to product specifications.  
For the most current specification sheet, go to [www.kohler.com](http://www.kohler.com) USA or [www.kohler.ca](http://www.kohler.ca) Canada.  
4-15-2026 3:26 - US-CA

THE BOLD LOOK  
OF **KOHLER**

---

## Codes/Standards

*ADA, CSA B651 compliant when installed to the specific requirements of these regulations.*

ADA    CSA B651

ASME A112.19.2/CSA B45.1

ADA

ICC/ANSI A117.1

CSA B651

---

## Technical Information

Basin Configuration:	Single Bowl
Basin Length:	17-1/4" (437 mm)
Basin Width:	17-1/4" (437 mm)
Basin Depth:	4" (102 mm)

---

## Material

- Vitreous china
- 

## Recommended Products/Accessories

K-23726 Drain treatment

K-23725 Cast iron cleaner

---

## Warranty

*See website for detailed warranty information.*

KOHLER® Vitreous China Bathroom Sink Lifetime Limited Warranty

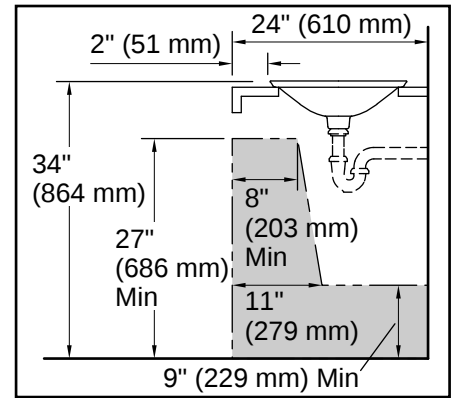
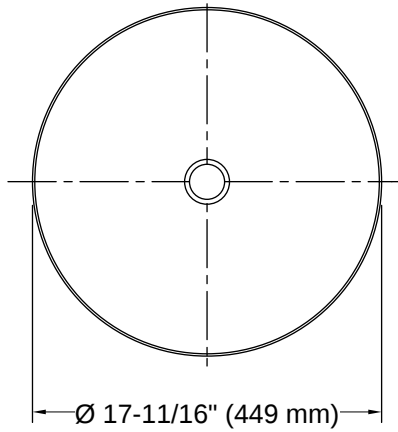


1-800-4KOHLER (1-800-456-4537)

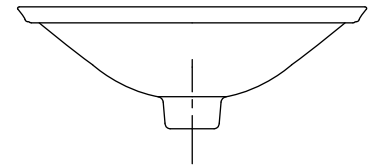
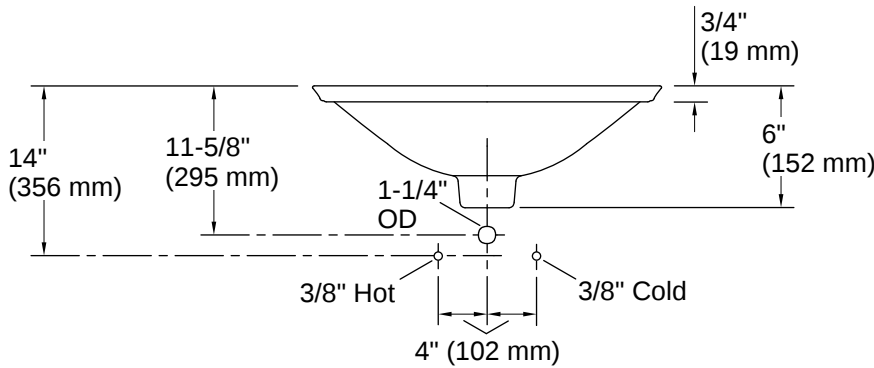
Kohler Co. reserves the right to make revisions without notice to product specifications.

For the most current specification sheet, go to [www.kohler.com](http://www.kohler.com) USA or [www.kohler.ca](http://www.kohler.ca) Canada.

4-15-2026 3:26 - US-CA



Recommended ADA Installation



## Installation

- Drop-in

## Installation Notes

*Install this product according to the installation instructions.*

NOTICE: Countertop manufacturer or cutter must use the current product template available at [www.kohler.com](http://www.kohler.com), or by calling 1-800-4KOHLER. Kohler Co. is not responsible for cutout errors when the incorrect cutout template is used.

Product dimensions are nominal and may vary per ASME A112.19.2 tolerances.

ADA, CSA B651 compliant when installed to the specific requirements of these regulations.

