



# Cairn® | K-29825

34" undermount single-bowl farmhouse kitchen sink with faceted design

## Features

- Fits minimum 36" (914 mm) apron sink base cabinet
- 9-1/2" (241 mm) depth provides generous workspace
- Apron designed to fit in standard 36" apron-front cabinetry
- Textured geometric faceted design
- Matte finish offers rich, dimensional color
- Offset drain increases workspace in the sink and storage space underneath
- Self-Trimming® apron overlaps cabinet face for easy installation and beautiful results



## Available Colors/Finishes

*Color tiles intended for reference only.*

- CM6 Matte White
- CM7 Matte Graphite
- CM1 Matte Black
- CM2 Matte Brown
- CM3 Matte Taupe
- CM4 Matte Grey
- CM9 Matte



1-800-4KOHLER (1-800-456-4537)  
Kohler Co. reserves the right to make revisions without notice to product specifications.  
For the most current specification sheet, go to [www.kohler.com](http://www.kohler.com) USA or [www.kohler.ca](http://www.kohler.ca) Canada.  
4-15-2026 5:45 - US-CA

THE BOLD LOOK  
OF **KOHLER**®

## Codes/Standards

CSA B45.5/IAPMO Z124

---

## Technical Information

*All product dimensions are nominal.*

Drain Hole Diameter:	3-7/8" (98 mm)
Minimum Base Cabinet Width:	36" (914 mm)
Basin Configuration:	Single Bowl
Basin Length:	28-5/8" (726 mm)
Basin Width:	15-1/2" (394 mm)
Basin Depth:	9-1/2" (241 mm)

---

## Material

- KOHLER Neoroc® composite is durable and built to withstand day-to-day cleaning tasks
  - Solid color throughout the sink
  - Scratch-, stain-, chip-, and thermal-shock-resistant
  - Heat-resistant up to 750°F
- 

## Recommended Products/Accessories

K-8801 Sink drain and strainer with tailpiece

K-8799 Sink drain and strainer basket, less tailpiece

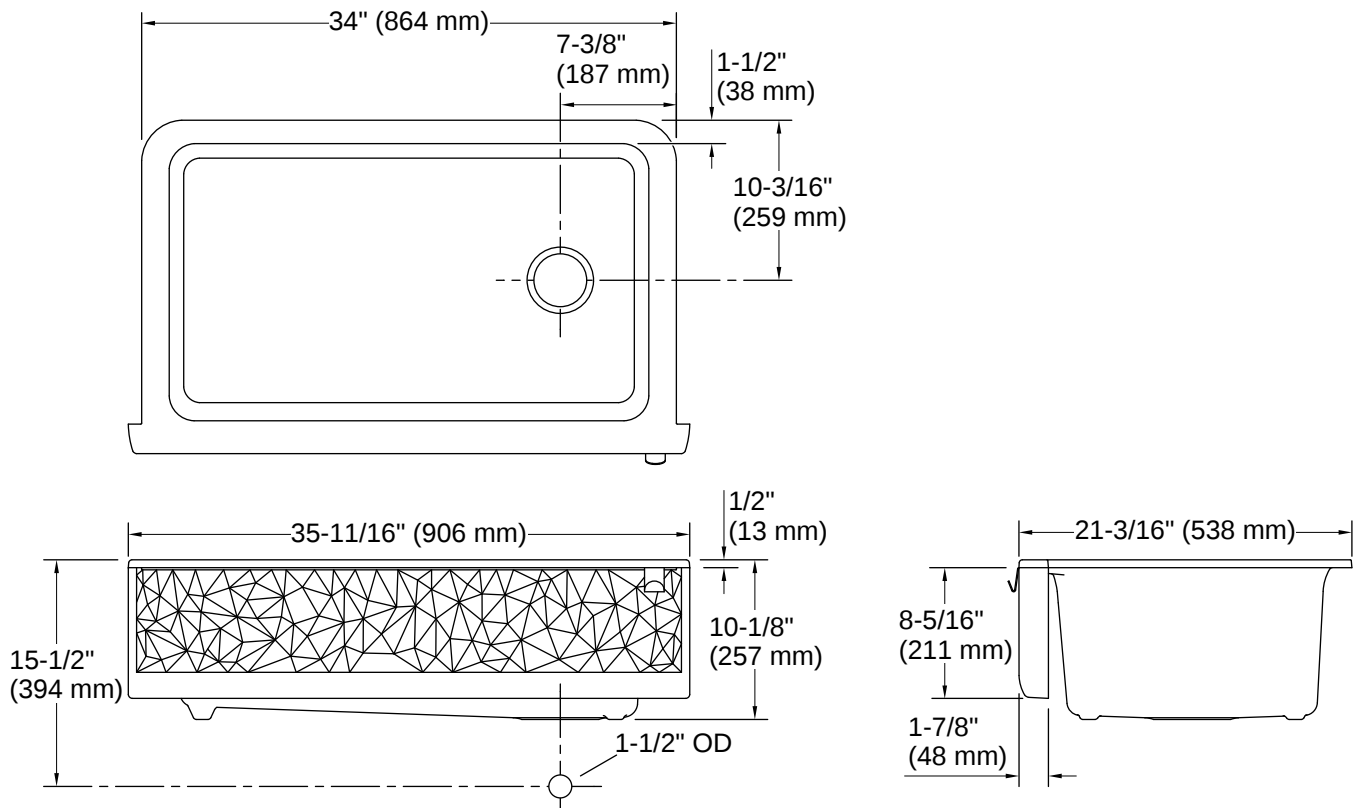
---

## Warranty

*See website for detailed warranty information.*

KOHLER® Neoroc® Sinks Lifetime Limited Warranty





## Installation

- Undermount

## Installation Notes

*Install this product according to the installation instructions.*

NOTICE: Countertop manufacturer or cutter must use the cut-out template provided with the product, or a current one provided by Kohler Co. (call 1-800-4-KOHLER). Kohler Co. is not responsible for cutout errors when the incorrect cut-out template is used.

IMPORTANT! The distance from the top edge of the cabinet to the top of the cabinet door must be at least 9" (229 mm) to install this sink.

