



Tresham® | K-2979-1

Vanity-top bathroom sink with single faucet hole

Features

- Single faucet hole
- Rectangular basin
- Overflow drain



Codes/Standards

ASME A112.19.2/CSA B45.1

Technical Information

Number of Deck Holes:	1
Faucet Hole(s) Size:	1-3/8" (35 mm)
With Overflow:	Yes
Drain Hole Diameter:	1-3/4" (44 mm)
Basin Configuration:	Single Bowl
Basin Length:	19-1/16" (484 mm)
Basin Width:	10-1/2" (267 mm)
Basin Depth:	6-1/4" (158 mm)

Material

- Vitreous china
-

Recommended Products/Accessories

K-23726 Drain treatment

K-8998 Adjustable P-trap with tubing outlet, 1-1/4" x 1-1/4"

K-23725 Cast iron cleaner

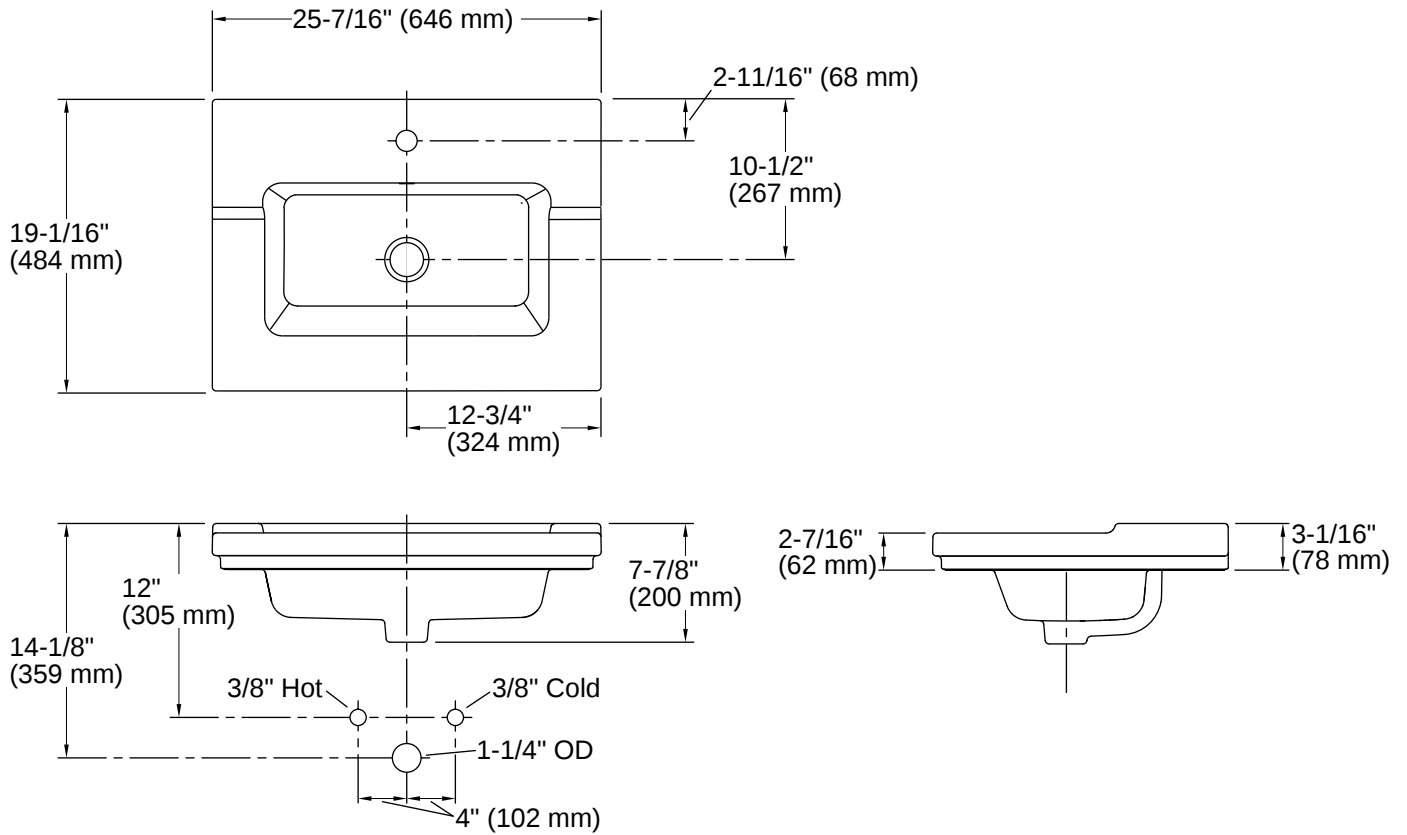
Warranty

See website for detailed warranty information.

KOHLER® Vitreous China Bathroom Sink Lifetime Limited Warranty



1-800-4KOHLER (1-800-456-4537)
Kohler Co. reserves the right to make revisions without notice to product specifications.
For the most current specification sheet, go to www.kohler.com USA or www.kohler.ca Canada.
4-15-2026 4:5 - US-CA



Installation

- Vanity top

Installation Notes

Install this product according to the installation instructions.

NOTICE: Countertop manufacturer or cutter must use the cut-out template provided with the product, or a current one provided by Kohler (call 1-800-4KOHLER). Kohler is not responsible for cutout errors when incorrect cut-out template is used.

When installing a pop-up drain to this bathroom sink, it may be necessary to bend the drain linkage to allow proper reach to the faucet lift rod.

NOTE: This bathroom sink is also designed for installation to the K-2604 vanity or with any other 24" (610 mm) x 18" (457 mm) vanity. Product dimensions are nominal and may vary per ASME A112.19.2 tolerances.

