



Sartorial™ Herringbone Caxton® | K-29471-HD2

20" rectangular undermount bathroom sink

Features

- Decorated with a textural Herringbone design on Black Black background
- Deep rectangular basin
- No faucet holes; requires wall- or counter-mount faucet



Available Colors/Finishes

Color tiles intended for reference only.

- HD2-7 Black Sartorial Herringbone



1-800-4KOHLER (1-800-456-4537)
Kohler Co. reserves the right to make revisions without notice to product specifications.
For the most current specification sheet, go to www.kohler.com USA or www.kohler.ca Canada.
4-15-2026 5:46 - US-CA

THE BOLD LOOK
OF **KOHLER**®

Codes/Standards

ADA, CSA B651 compliant when installed to the specific requirements of these regulations.

ADA CSA B651

ASME A112.19.2/CSA B45.1

ADA

ICC/ANSI A117.1

CSA B651

Technical Information

With Overflow:	Yes
Basin Configuration:	Single Bowl
Basin Length:	17-5/16" (440 mm)
Basin Width:	13" (330 mm)
Basin Depth:	5-5/16" (135 mm)

Material

- Vitreous china
-

Recommended Products/Accessories

K-9018 Adjustable P-trap with long tubing outlet, 1-1/4" x 1-1/4"

Warranty

See website for detailed warranty information.

KOHLER® Vitreous China Bathroom Sink Lifetime Limited Warranty

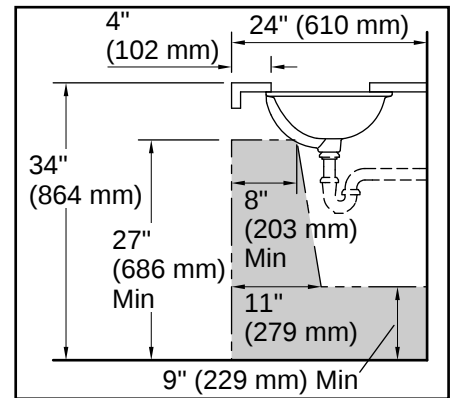
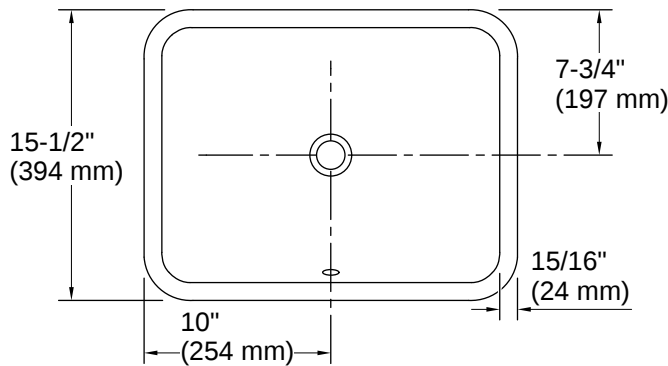


1-800-4KOHLER (1-800-456-4537)

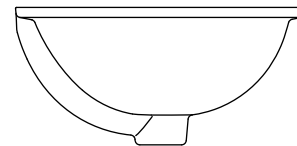
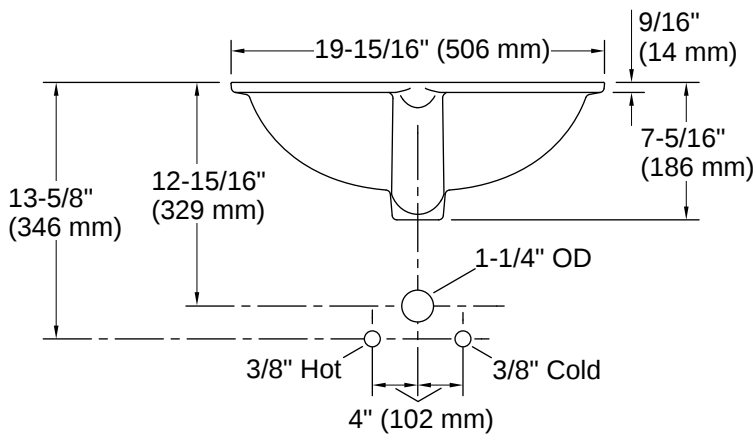
Kohler Co. reserves the right to make revisions without notice to product specifications.

For the most current specification sheet, go to www.kohler.com USA or www.kohler.ca Canada.

4-15-2026 5:46 - US-CA



Recommended ADA Installation



Installation

- Undermount

Installation Notes

Install this product according to the installation instructions.

NOTICE: Countertop manufacturer or cutter must use the cut-out template provided with the product, or a current one provided by Kohler Co. (call 1-800-4-KOHLER). Kohler Co. is not responsible for cutout errors when the incorrect cut-out template is used.

Product dimensions are nominal and may vary per ASME A112.19.2 tolerances.

ADA, CSA B651 compliant when installed to the specific requirements of these regulations.

