

Volute® | K-29329-0

70-7/8" x 30-3/8" freestanding bath with shroud

Features

- Freestanding design creates a striking focal point in your bathing area
- Oval basin creates a spacious bathing experience
- Integral lumbar support on both ends
- Slotted overflow allows for deep soaking
- 12-1/16" (306 mm) deep-soaking depth provides a luxurious bathing experience
- Safeguard® slip-resistant surface provides excellent traction underfoot
- Center drain
- Drain and integral overflow preinstalled to reduce installation time
- Sleek straight shroud design is easy to clean and lends itself to both transitional and contemporary bathrooms
- Requires K-36361 Volute bath drain trim (sold separately)
- Low step-over height allows easy entry and exit



Sustainability



Available Colors/Finishes

Color tiles intended for reference only.

- 0 White



Codes/Standards

ASME A112.19.1/CSA B45.2

Technical Information

All product dimensions are nominal.

Drain Location:	Center
Drain Hole Diameter:	2-3/16" (56 mm)
Basin Area, Bottom:	58-1/8" x 22-3/16" (1476 mm x 564 mm)
Basin Area, Top:	68-1/8" x 25-11/16" (1731 mm x 652 mm)
Water Depth:	13-1/8" (333 mm)
Water Capacity:	57.63 gal (218.2 L)
Minimum Floor Load:	61.2 lbs/ft ²
Weight:	407 lbs (184.6 kg)

Material

- KOHLER® enameled cast iron bath
 - White acrylic shroud
 - Brass drain
-

Required Products/Accessories

- K-36361 Bath drain trim
-

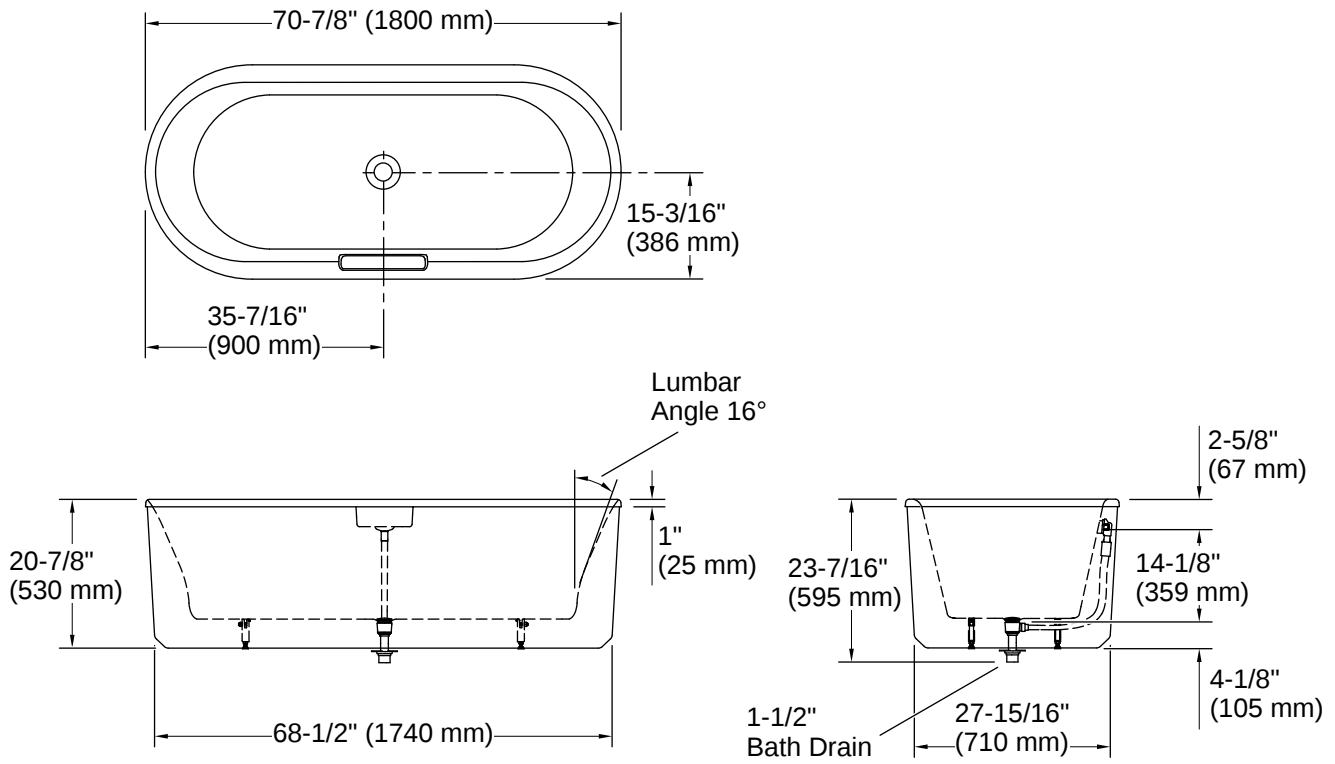
Warranty

See website for detailed warranty information.

KOHLER® Enameled Cast Iron Bath and Shower Base Lifetime Limited Warranty



1-800-4KOHLER (1-800-456-4537)
Kohler Co. reserves the right to make revisions without notice to product specifications.
For the most current specification sheet, go to www.kohler.com USA or www.kohler.ca Canada.
4-15-2026 6:39 - US-CA



Installation

- Freestanding

Installation Notes

Install this product according to the installation instructions.

Measure your actual product for rough-in details.

The hot water supply should be 70% of the capacity of the bath or greater. Installations will vary.

