



# Volute® | K-29326-P5B0

63" x 28-3/8" freestanding bath with base

## Features

- Freestanding design creates a striking focal point in your bathing area
- Oval basin creates a spacious bathing experience
- Integral lumbar support on both ends
- Slotted overflow allows for deep soaking
- 12-1/16" (306 mm) deep-soaking depth provides a luxurious bathing experience
- Safeguard® slip-resistant surface provides excellent traction underfoot
- Center drain
- Drain and integral overflow preinstalled to reduce installation time
- Contrasting pedestal base adds a dramatic, contemporary look
- Requires K-36361 Volute bath drain trim (sold separately)
- Low step-over height allows easy entry and exit



## Sustainability



## Available Colors/Finishes

*Color tiles intended for reference only.*

- 0 White



1-800-4KOHLER (1-800-456-4537)  
Kohler Co. reserves the right to make revisions without notice to product specifications.  
For the most current specification sheet, go to [www.kohler.com](http://www.kohler.com) USA or [www.kohler.ca](http://www.kohler.ca) Canada.  
4-15-2026 6:38 - US-CA

THE BOLD LOOK  
OF **KOHLER**

---

## Codes/Standards

ASME A112.19.1/CSA B45.2

---

## Technical Information

*All product dimensions are nominal.*

Drain Location:	Center
Drain Hole Diameter:	2-3/16" (56 mm)
Basin Area, Bottom:	50-1/4" x 20-3/8" (1277 mm x 518 mm)
Basin Area, Top:	60-1/4" x 23-11/16" (1531 mm x 602 mm)
Water Depth:	12-1/8" (308 mm)
Water Capacity:	42.45 gal (160.7 L)
Minimum Floor Load:	55.2 lbs/ft <sup>2</sup>
Weight:	305 lbs (138.3 kg)

---

## Material

- KOHLER® enameled cast iron bath
  - Painted exterior in Iron Black
  - Reinforced resin pedestal base with White painted finish
  - Brass drain
- 

## Required Products/Accessories

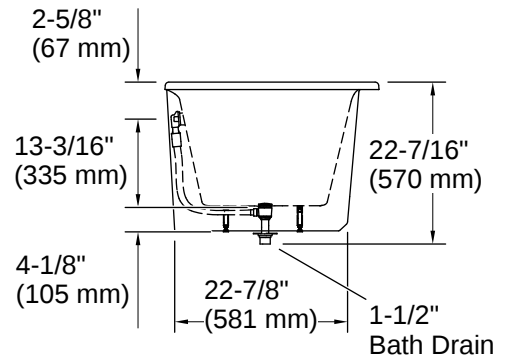
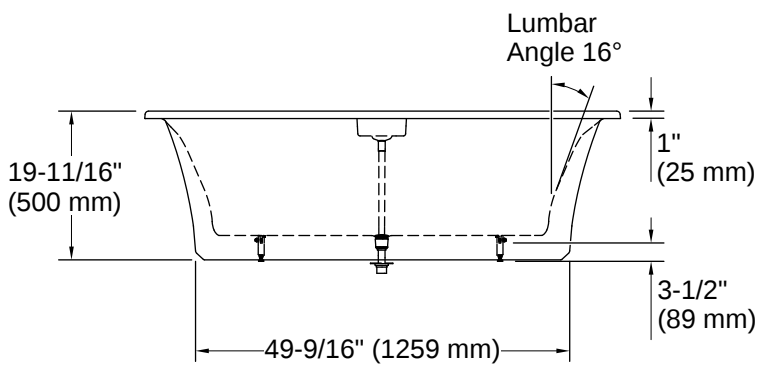
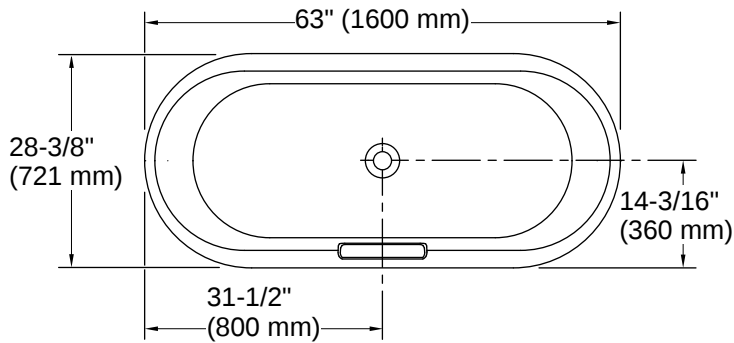
- K-36361 Bath drain trim
- 

## Warranty

*See website for detailed warranty information.*

KOHLER® Enameled Cast Iron Bath and Shower Base Lifetime Limited Warranty





## Installation

- Freestanding

## Installation Notes

*Install this product according to the installation instructions.*

Measure your actual product for rough-in details.

The hot water supply should be 70% of the capacity of the bath or greater. Installations will vary.

Install this product according to the installation instructions.

