

Tahoe® | K-2895-1

21" rectangular drop-in bathroom sink

Features

- Single faucet hole
- Overflow drain



Sustainability



Available Colors/Finishes

Color tiles intended for reference only.

- 0 White
- NY Dune



Codes/Standards

ADA, CSA B651 compliant when installed to the specific requirements of these regulations.

ADA CSA B651

ASME A112.19.1/CSA B45.2

ADA

ICC/ANSI A117.1

CSA B651

Technical Information

Number of Deck Holes:	1
Faucet Hole(s) Size:	1-3/8" (35 mm)
With Overflow:	Yes
Drain Hole Diameter:	1-3/4" (44 mm)
Basin Configuration:	Single Bowl
Basin Length:	16" (406 mm)
Basin Width:	12" (305 mm)
Basin Depth:	7" (178 mm)

Material

- KOHLER® enameled cast iron

Recommended Products/Accessories

K-23726 Drain treatment

K-8998 Adjustable P-trap with tubing outlet, 1-1/4" x 1-1/4"

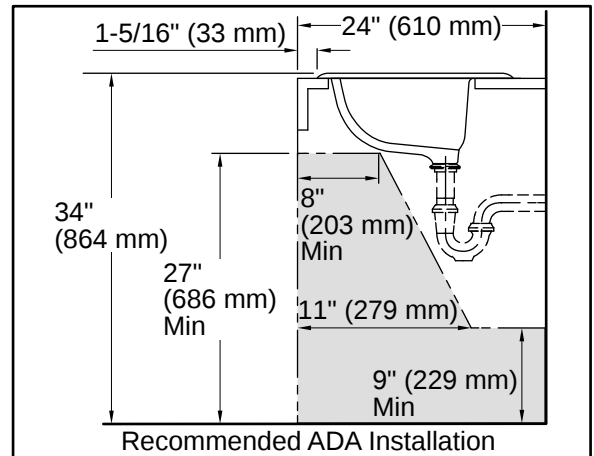
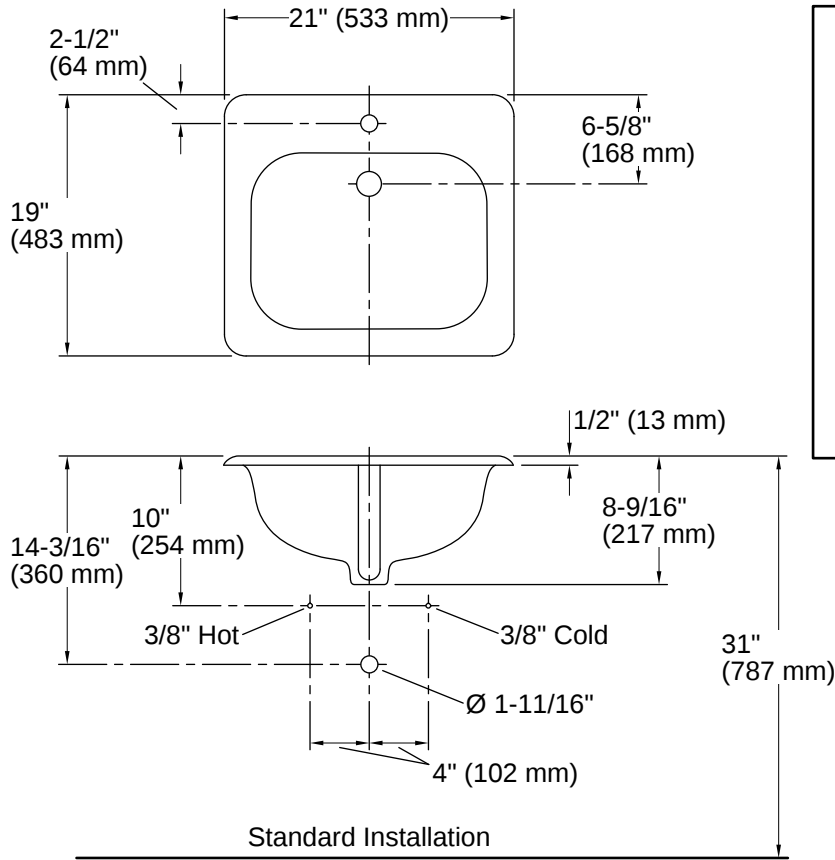
K-23725 Cast iron cleaner

Warranty

See website for detailed warranty information.

KOHLER® Enameled Cast Iron Kitchen and Bathroom Sink Lifetime Limited Warranty





Installation

- Drop-in

Installation Notes

Install this product according to the installation instructions.

ADA, CSA B651 compliant when installed to the specific requirements of these regulations.

