

Yepsen® | K-28823-G6

20" rectangular undermount bathroom sink, no overflow

Features

- Deep rectangular basin in opaque glass with concealing linear texture
- Handcrafted in small batches by expert glassmakers, featuring bubbles, textures, and other markings, unique to each individual piece
- Glass material provides a strong durable surface that is easy to clean yet visually distinctive
- The Yepsen sink is available in clear glass, translucent colors, and opaque colors
- Allows flexible faucet and accessory installation
- No faucet holes; requires wall- or counter-mount faucet



Available Colors/Finishes

Color tiles intended for reference only.

- G6- B11 Opaque Sapphire



Codes/Standards

ADA compliant when installed to the specific requirements of these regulations.

ADA

CSA B45.11/IAPMO Z401

ADA

ICC/ANSI A117.1

Technical Information

Drain Hole Diameter:	1-11/16" (43 mm)
Minimum Base Cabinet Width:	13" (330 mm)
Basin Configuration:	Single Bowl
Basin Length:	17-3/8" (441 mm)
Basin Width:	13" (330 mm)
Basin Depth:	5-5/16" (135 mm)

Recommended Products/Accessories

K-23726 Drain treatment

K-23723 Faucet cleaner

Required Products/Accessories

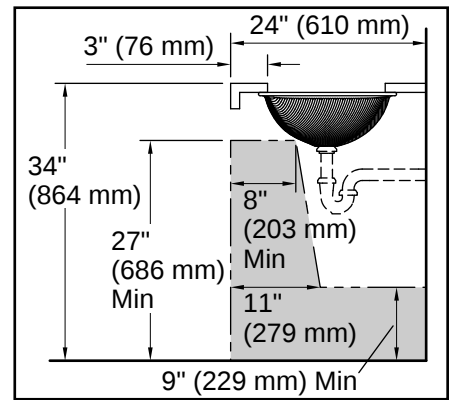
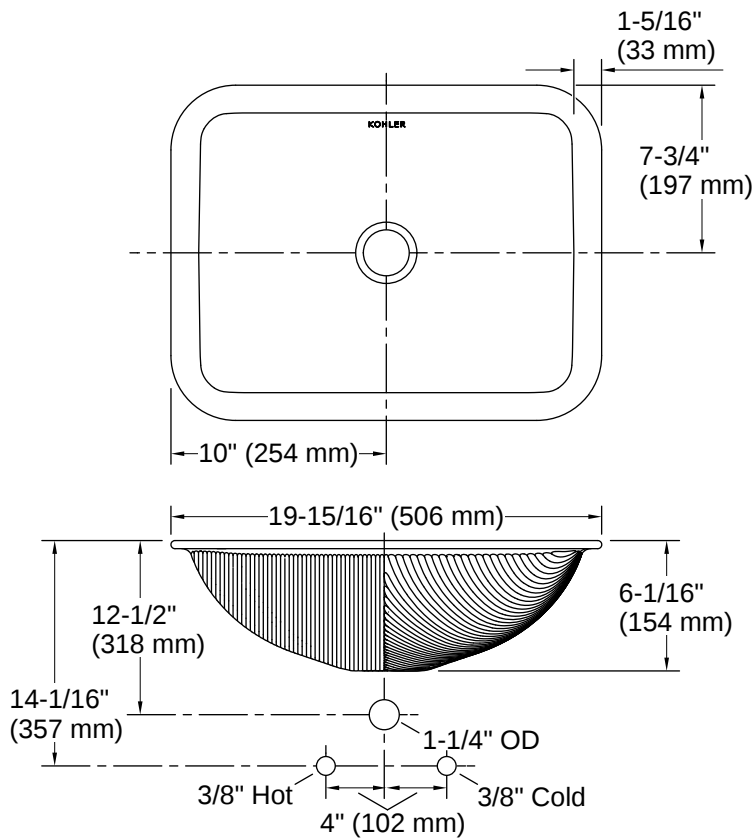
- K-7107 Decorative grid drain without overflow
- or
- K-7108 Decorative grid drain without overflow
- or
- K-7129 Bathroom sink grid drain without overflow

Warranty

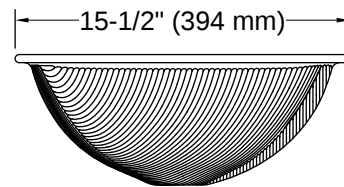
See website for detailed warranty information.

KOHLER® One-Year Limited Warranty





Recommended ADA Installation



Installation

- Undermount

Installation Notes

Install this product according to the installation instructions.

ADA compliant when installed to the specific requirements of these regulations.

