

## Yepsen® | K-28823-G1

20" rectangular undermount bathroom sink, no overflow

### Features

- Deep rectangular basin in opaque glass with concealing linear texture
- Handcrafted in small batches by expert glassmakers, featuring bubbles, textures, and other markings, unique to each individual piece
- Glass material provides a strong durable surface that is easy to clean yet visually distinctive
- The Yepsen sink is available in clear glass, translucent colors, and opaque colors
- Allows flexible faucet and accessory installation
- No faucet holes; requires wall- or counter-mount faucet



### Available Colors/Finishes

*Color tiles intended for reference only.*

- G1- B11 Opaque Dusk



## Codes/Standards

*ADA compliant when installed to the specific requirements of these regulations.*

ADA

CSA B45.11/IAPMO Z401  
ADA  
ICC/ANSI A117.1

## Technical Information

Drain Hole Diameter:	1-11/16" (43 mm)
Minimum Base Cabinet Width:	13" (330 mm)
Basin Configuration:	Single Bowl
Basin Length:	17-3/8" (441 mm)
Basin Width:	13" (330 mm)
Basin Depth:	5-5/16" (135 mm)

## Recommended Products/Accessories

K-23726 Drain treatment  
K-23723 Faucet cleaner

## Required Products/Accessories

- K-7107 Decorative grid drain without overflow
- or
- K-7108 Decorative grid drain without overflow
- or
- K-7129 Bathroom sink grid drain without overflow

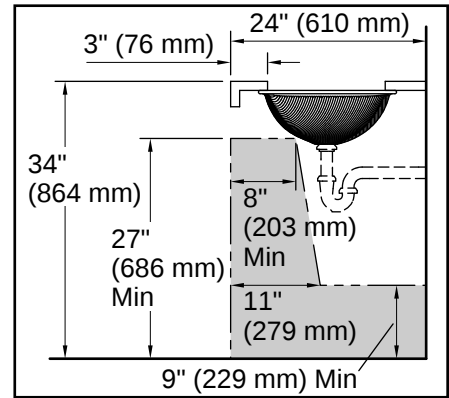
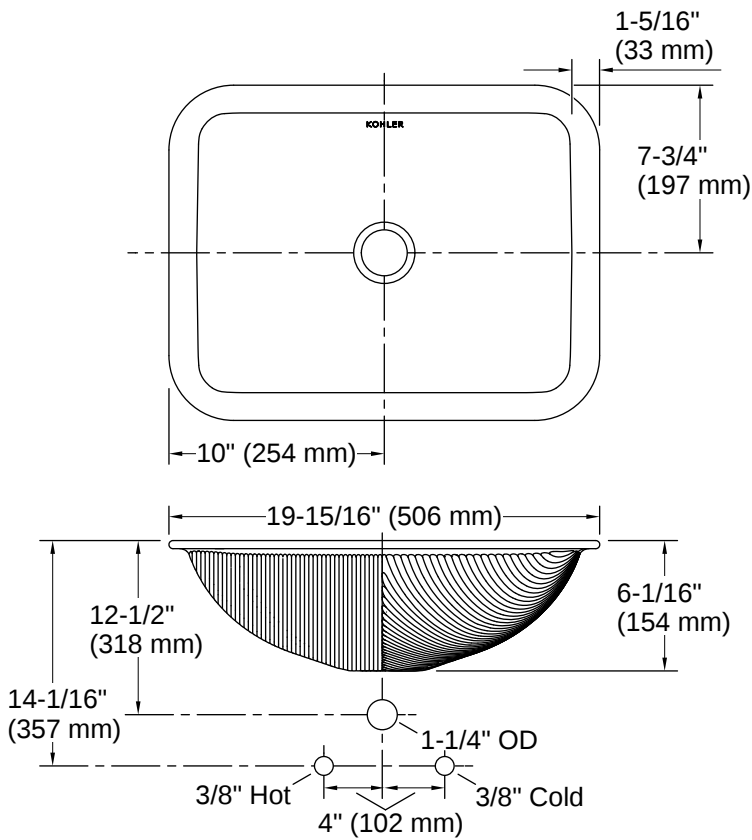
## Warranty

*See website for detailed warranty information.*

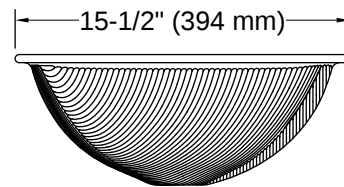
KOHLER® One-Year Limited Warranty



1-800-4KOHLER (1-800-456-4537)  
Kohler Co. reserves the right to make revisions without notice to product specifications.  
For the most current specification sheet, go to [www.kohler.com](http://www.kohler.com) USA or [www.kohler.ca](http://www.kohler.ca) Canada.  
4-15-2026 6:30 - US-CA



Recommended ADA Installation



## Installation

- Undermount

## Installation Notes

*Install this product according to the installation instructions.*

ADA compliant when installed to the specific requirements of these regulations.

