



Hudson™ | K-2868

20" x 18" wall-mount bathroom sink with widespread faucet holes and lugs for chair carrier

Features

- Made from premium materials that withstand high-volume usage
- 20" (508 mm) x 18" (457 mm)
- 8" (203 mm) widespread faucet holes
- Lugs for chair carrier



Sustainability



Available Colors/Finishes

Color tiles intended for reference only.

- 0 White



Codes/Standards

ADA compliant when installed to the specific requirements of these regulations.

ADA

ASME A112.19.1/CSA B45.2

ADA

ICC/ANSI A117.1

Technical Information

Number of Deck Holes:	3
Faucet Hole(s) Size:	1-3/8" (35 mm)
Center(s):	8" (203 mm)
With Overflow:	Yes
Drain Hole Diameter:	1-3/4" (44 mm)
Basin Configuration:	Single Bowl
Basin Length:	15" (381 mm)
Basin Width:	10" (254 mm)
Basin Depth:	12-1/4" (312 mm)

Material

- KOHLER® enameled cast iron
-

Recommended Products/Accessories

K-23726 Drain treatment

K-8998 Adjustable P-trap with tubing outlet, 1-1/4" x 1-1/4"

K-23725 Cast iron cleaner

Warranty

See website for detailed warranty information.

KOHLER® Enameled Cast Iron Kitchen and Bathroom Sink Lifetime Limited Warranty

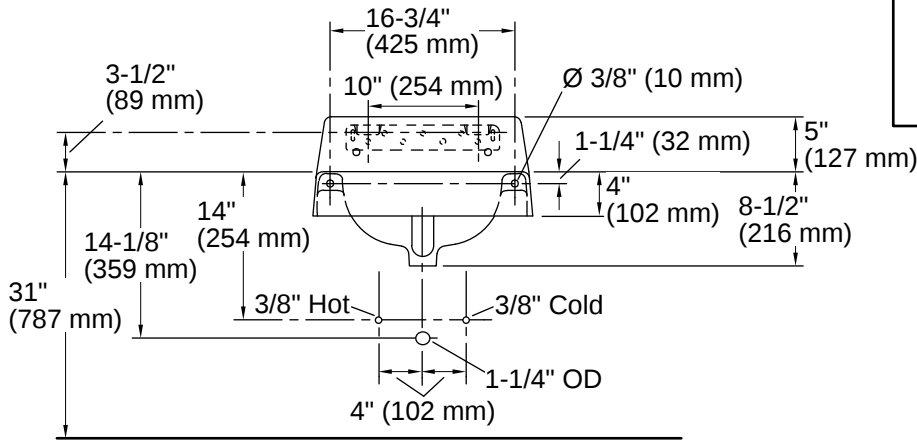
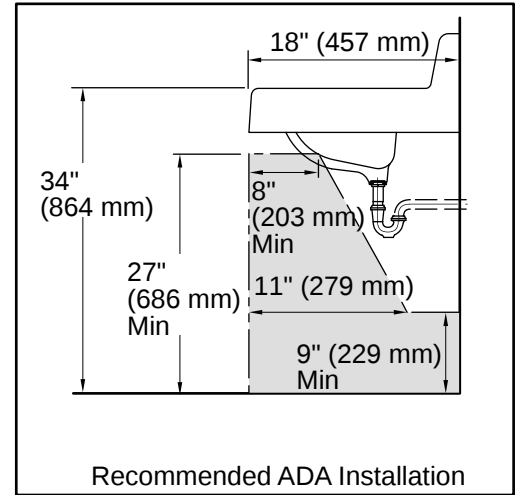
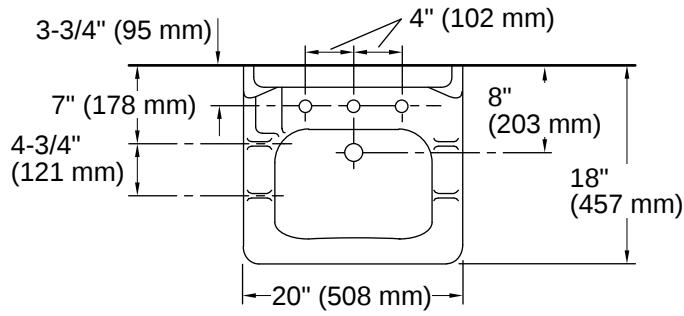


1-800-4KOHLER (1-800-456-4537)

Kohler Co. reserves the right to make revisions without notice to product specifications.

For the most current specification sheet, go to www.kohler.com USA or www.kohler.ca Canada.

4-15-2026 3:44 - US-CA



Standard Installation

Installation

- Wall-mount

Installation Notes

Install this product according to the installation instructions.

ADA compliant when installed to the specific requirements of these regulations.

