

## SpaViva™ | K-28682-Y

Two-function handshower with all-in-one cleansing device, 2.5 gpm

### Features

- Multifunction handshower with advanced spray engine provides two spray experiences: Full Coverage with Katalyst technology and MicroBubble
- Full coverage with Katalyst® air-induction technology delivers a drenching spray experience, ideal for rinsing shampoo from hair
- MicroBubble spray infuses tiny bubbles into water to help clean pores and leave skin feeling refreshed
- Easily transition between sprays with control buttons on sprayface
- Handle extends 2-5/8" (67 mm) with push of a button to wash hard-to-reach areas
- 2.5 gpm (9.5 lpm) maximum flow rate
- All-in-one cleansing device features four interchangeable attachments: facial brush, body brush, body scrubber, and body massager
- Facial brush with small, gentle silicone bristles helps to deep-clean pores
- Body brush with full, densely placed silicone bristles tackles larger areas of the body
- Body scrubber with natural stone surface delicately exfoliates to remove dead skin from feet
- Body massager with five pressure-point nodes targets tired muscles
- Three speed settings give you the option to customize your experience with each attachment
- Rechargeable device provides 1-1/2 hours of usage between charges
- Magnetic docking allows cleansing device to be easily detached from handshower for use on its own
- Package Includes handshower, all-in-one cleansing device, four head attachments, charging station with cord
- Shower hose sold separately



### Available Colors/Finishes

*Color tiles intended for reference only.*

- RGD Vibrant Rose Gold



1-800-4KOHLER (1-800-456-4537)

Kohler Co. reserves the right to make revisions without notice to product specifications.  
For the most current specification sheet, go to [www.kohler.com](http://www.kohler.com) USA or [www.kohler.ca](http://www.kohler.ca) Canada.  
4-15-2026 2:18 - US-CA

## Codes/Standards

ASME A112.18.1/CSA B125.1  
DOE - Energy Policy Act 1992

---

## Technical Information

*All product dimensions are nominal.*

### Flow Rate

Handshower Rated Maximum      2.5 gpm (9.5 l/min)

Flow:

---

## Material

- Premium material construction for durability and reliability
  - KOHLER finishes resist corrosion and tarnishing
- 

## Technology

- Katalyst® air-induction technology infuses water with air, creating bigger drops for a more powerful spray
- 

## Warranty

*See website for detailed warranty information.*

KOHLER® Faucet Lifetime Limited Warranty

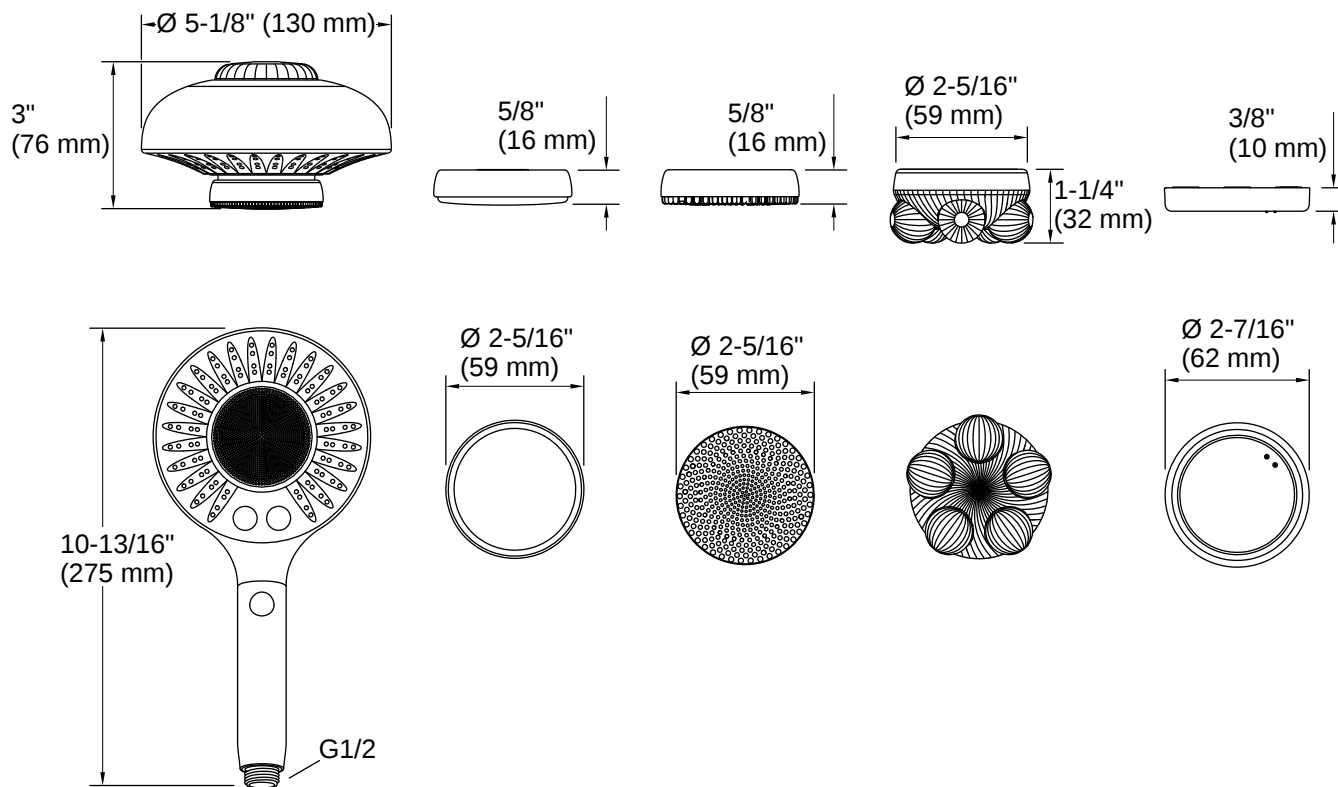


1-800-4KOHLER (1-800-456-4537)

Kohler Co. reserves the right to make revisions without notice to product specifications.

For the most current specification sheet, go to [www.kohler.com](http://www.kohler.com) USA or [www.kohler.ca](http://www.kohler.ca) Canada.

4-15-2026 2:18 - US-CA



### Installation Notes

Install this product according to the installation instructions.

