



Billet® | K-28676

Beverage faucet

Features

- Works with KOHLER filtration systems or as a cold water tap
- Integrated air gap offers reverse osmosis (RO) compatibility
- Faucet spout rotates 360° and offers clearance for filling glasses and pitchers
- Right-side lever handle
- KOHLER ceramic disc valves exceed industry longevity standards by over two times, ensuring durable performance for life
- 1.5 gpm (5.7 lpm) maximum flow rate at 60 psi (4.14 bar)
- Coordinates with other products in the Billet™ collection



Sustainability



1-800-4KOHLER (1-800-456-4537)
Kohler Co. reserves the right to make revisions without notice to product specifications.
For the most current specification sheet, go to www.kohler.com USA or www.kohler.ca Canada.
4-15-2026 6:54 - US-CA

THE BOLD LOOK
OF **KOHLER**®

Codes/Standards

ADA, CSA B651 compliant when installed to the specific requirements of these regulations.

ADA CSA B651

ASME A112.18.1/CSA B125.1
NSF/ANSI/CAN 372
NSF/ANSI/CAN 61
DOE - Energy Policy Act 1992
California Energy Commission (CEC)
NSF/ANSI/CAN 61|NSF/ANSI/CAN 372
ADA
ICC/ANSI A117.1
CSA B651

Technical Information

All product dimensions are nominal.

Handle

Handle Style/ Type: Lever

Spout

Spout Reach: 5-5/16" (135 mm)

Flow Rate

Faucet Flow Rate: 1.5 gpm (5.7 l/min)

Material

- Premium metal construction for durability and reliability
 - KOHLER finishes resist corrosion and tarnishing
-

Recommended Products/Accessories

K-22155 Reverse osmosis (RO) water filtration system

K-23723 Faucet cleaner

Warranty

See website for detailed warranty information.

KOHLER® Faucet Lifetime Limited Warranty

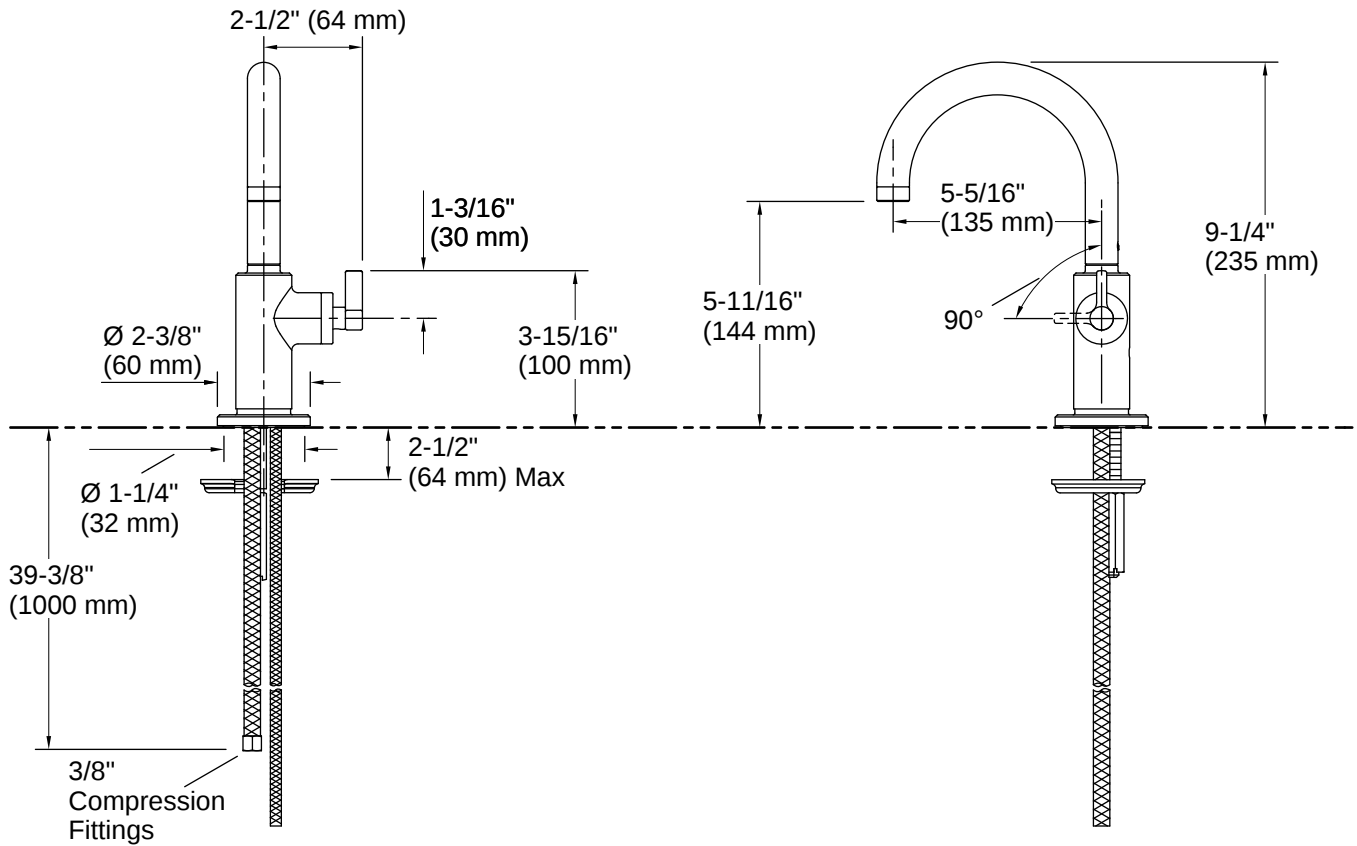


1-800-4KOHLER (1-800-456-4537)

Kohler Co. reserves the right to make revisions without notice to product specifications.

For the most current specification sheet, go to www.kohler.com USA or www.kohler.ca Canada.

4-15-2026 6:54 - US-CA



Installation

- Single-hole installation

Installation Notes

Install this product according to the installation instructions.

ADA compliant for faucet handles only

ADA, CSA B651 compliant when installed to the specific requirements of these regulations.

