

## Rite-Temp® | K-28305

Thermostatic cartridge

### Features

- Includes thermostatic cartridge and mud guard
- 9 gpm (34 l/min) maximum flow rate at 45 psi
- Single lever design cycles from off through cold to hot
- One-piece cartridge design simplifies installation and maintenance
- Adjustable high-temperature limit stop to control maximum water temperature
- Requires trim and any K-8300 valve body to complete installation (sold separately)



### Available Colors/Finishes

*Color tiles intended for reference only.*

<sup>NA</sup> NA Not Applicable



---

## Codes/Standards

ASME A112.18.1/CSA B125.1

ASSE 1016/ASME A112.1016/CSA B125.16

---

## Material

- Materials selected to resist attack from aggressive water conditions
- 

## Required Products/Accessories

- K-8300 Series Rite-Temp® Valve Body Rough-ins
- 

## Technology

- Thermostatic technology automatically maintains outlet temperature within +/- 3.6°F (+/- 2°C) during water pressure fluctuations
- 

## Warranty

*See website for detailed warranty information.*

KOHLER® Faucet Lifetime Limited Warranty

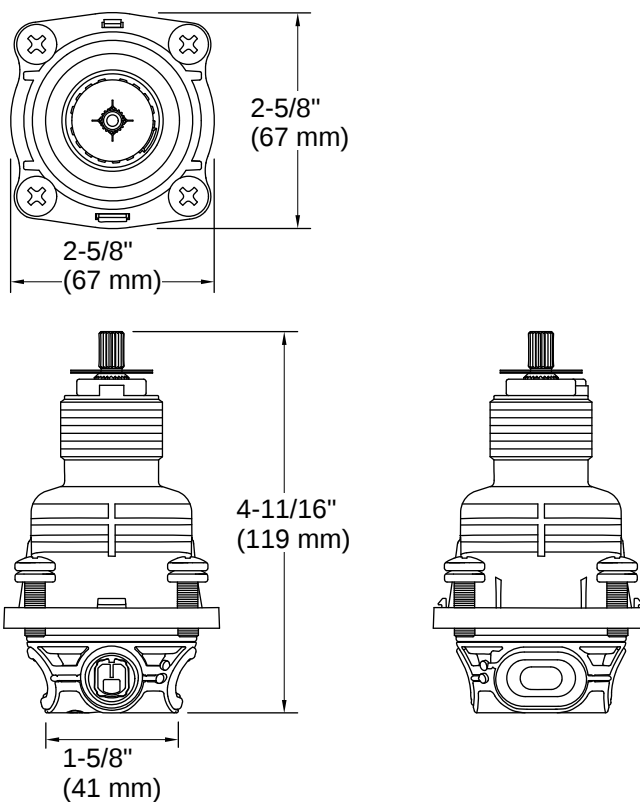


1-800-4KOHLER (1-800-456-4537)

Kohler Co. reserves the right to make revisions without notice to product specifications.

For the most current specification sheet, go to [www.kohler.com](http://www.kohler.com) USA or [www.kohler.ca](http://www.kohler.ca) Canada.

4-15-2026 4:48 - US-CA



## Installation

- Cartridge is reversible for installations where hot and cold supplies are reversed

## Installation Notes

*Install this product according to the installation instructions.*

For use with showerheads or handsprays rated at 1.5 gal/min (5.7 l/min) or higher.

