



# Anthem+™ | K-28214-ASC

Digital control

## Features

- Digital control with easy-to-read icons and configurable touch screen
- Control steam along with temperature and flow for up to 12 shower outlets from a simple, intuitive interface
- Turn the large KOHLER® dial for easy temperature and flow rate adjustment
- Nine user-definable presets let you save your favorite shower settings
- Use with the KOHLER Konnect® app to unlock additional Anthem system features, Kohler-developed experiences, and system updates
- System warm-up and pause feature
- Includes optional flow restrictor, limiting total flow to 1.75 gpm (6.6 lpm), for installations where water conservation or CEC compliance is desired
- Connect up to four controls within your digital shower system
- Pair with optional Anthem remote on/off button; sold separately
- Requires Anthem+ system controller module and an Anthem digital thermostatic valve (sold separately)



## Available Colors/Finishes

*Color tiles intended for reference only.*

- CP Polished Chrome
- SN Vibrant Polished Nickel
- AF Vibrant French Gold
- BN Vibrant Brushed Nickel
- BV Vibrant Brushed Bronze
- BL Matte Black
- 2MB Vibrant Brushed Moderne Brass
- TT Vibrant Titanium
- BGP Vibrant Brushed Graphite



1-800-4KOHLER (1-800-456-4537)

Kohler Co. reserves the right to make revisions without notice to product specifications.  
For the most current specification sheet, go to [www.kohler.com](http://www.kohler.com) USA or [www.kohler.ca](http://www.kohler.ca) Canada.  
4-15-2026 2:12 - US-CA

THE BOLD LOOK  
OF **KOHLER**®

---

## Codes/Standards

*ADA compliant when installed to the specific requirements of these regulations.*

ADA

CSA C22.2 No. 14

CSA C22.2 No. 68

ADA

ICC/ANSI A117.1

---

## Valves

Required Valves: Digital, Thermostatic

---

## Material

- Premium material construction for durability and reliability
- 

## Recommended Products/Accessories

K-28213 Remote on/off button for digital thermostatic valve

---

## Warranty

*See website for detailed warranty information.*

KOHLER® Electronic Faucets, Valves, and Controls Five-Year Limited Warranty

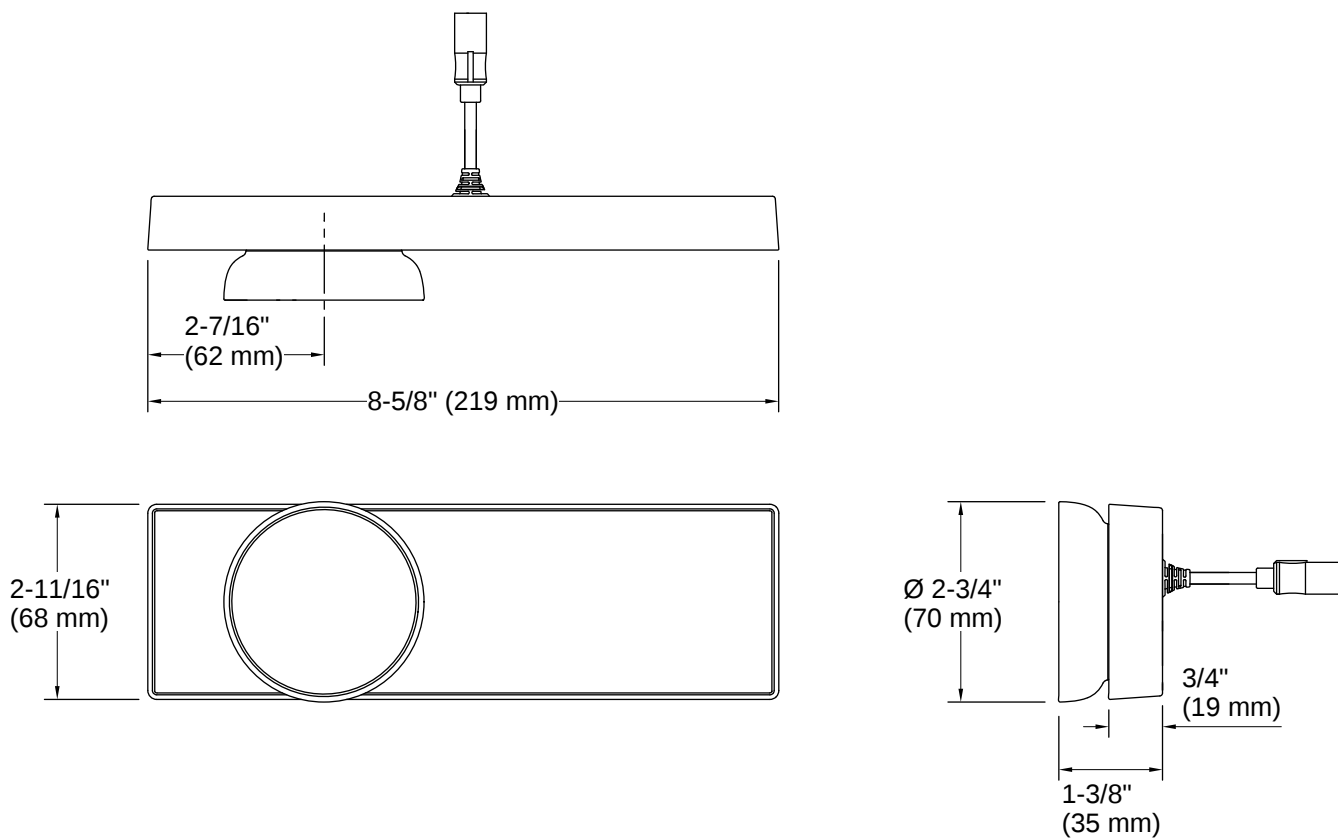


1-800-4KOHLER (1-800-456-4537)

Kohler Co. reserves the right to make revisions without notice to product specifications.

For the most current specification sheet, go to [www.kohler.com](http://www.kohler.com) USA or [www.kohler.ca](http://www.kohler.ca) Canada.

4-15-2026 2:12 - US-CA



## Installation

- After digital control is connected to system controller, valve, and power source, follow on-screen prompts for easy setup; no Internet needed
- Wall-mount

## Installation Notes

*Install this product according to the installation instructions.*

ADA compliant when installed to the specific requirements of these regulations.

