



Venza® | K-28124-4

Centerset bathroom sink faucet, 1.2 gpm

Features

- Two Lever handles offer separate control of hot and cold water
- 1.2 gpm (4.5 lpm) maximum flow rate at 60 psi (4.14 bar)
- KOHLER® ceramic disc valves exceed industry longevity standards for a lifetime of durable performance
- Clicker drain with tailpiece
- Coordinates with other products in the Venza collection
- This product can help a building earn Water Efficiency points in LEED® Green Building Rating System



Sustainability



Available Colors/Finishes

Color tiles intended for reference only.

- CP Polished Chrome
- BN Vibrant Brushed Nickel
- BL Matte Black



1-800-4KOHLER (1-800-456-4537)
Kohler Co. reserves the right to make revisions without notice to product specifications.
For the most current specification sheet, go to www.kohler.com USA or www.kohler.ca Canada.
4-15-2026 6:20 - US-CA

THE BOLD LOOK
OF **KOHLER**®

Codes/Standards

ADA, OBC, CSA B651 compliant when installed to the specific requirements of these regulations.



ADA CSA B651 OBC

ASME A112.18.1/CSA B125.1
NSF/ANSI/CAN 372
NSF/ANSI/CAN 61
DOE - Energy Policy Act 1992
EPA WaterSense®
California Energy Commission (CEC)
NSF/ANSI/CAN 61|NSF/ANSI/CAN 372
ADA
ICC/ANSI A117.1
CSA B651
OBC

Technical Information

All product dimensions are nominal.

Handle

Handle Style/ Type: Lever

Spout

Spout Reach: 5-1/2" (140 mm)

Drain With Overflow: Yes

Flow Rate

Faucet Flow Rate: 1.2 gpm (4.5 l/min)

Valves

Included Valve: Ceramic disc

Material

- Premium metal construction for durability and reliability
- KOHLER finishes resist corrosion and tarnishing

Recommended Products/Accessories

K-23726 Drain treatment

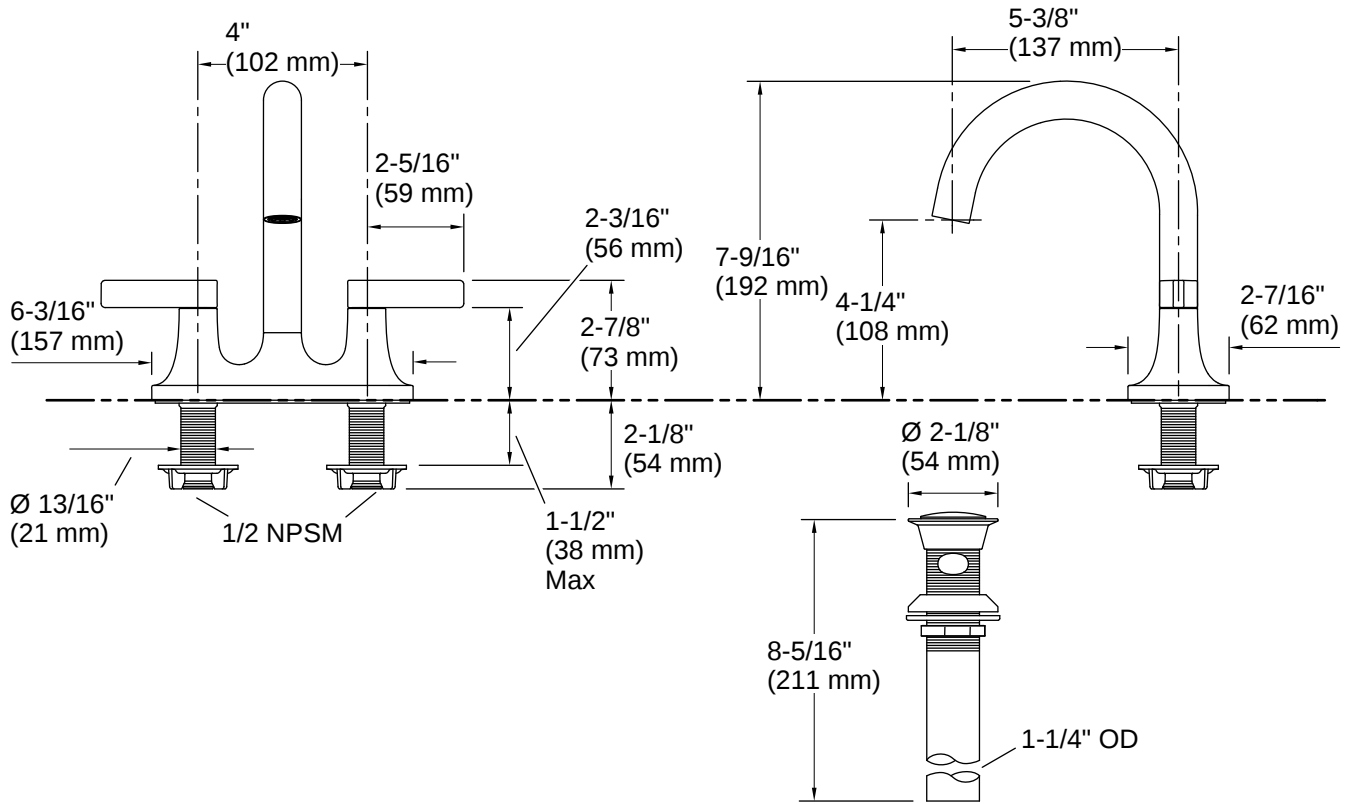
K-23723 Faucet cleaner

Warranty

See website for detailed warranty information.

KOHLER® Faucet Lifetime Limited Warranty





Installation

- Deck-mount
- For 4" (102 mm) centers
- Handles are preassembled on valves to simplify installation

Installation Notes

Install this product according to the installation instructions.

ADA, OBC, CSA B651 compliant when installed to the specific requirements of these regulations.

