



PureWash® E815 | K-28119

Elongated bidet toilet seat with remote control

Features

- Sleek, handheld remote control with two programmable user presets
- Front and rear wash modes provide warm water for cleansing
- Three-level adjustable nozzle position, water temperature, and water pressure
- Bidet wand rotates to deliver three personal cleansing spray modes; stream, mist, and air mist
- Stainless steel wand is automatically cleaned before and after each use
- 3D wash feature oscillates spray back and forth and side to side
- Spa Spray mode activates air mist spray while automatically changing water temperature for a comfortable spray
- Boost spray automatically adjusts rear spray mode to highest pressure
- Child mode with soft, gentle wash provides a safe experience
- Heated seat with adjustable temperature settings
- Warm-air drying system with adjustable temperature settings
- Automatic deodorization with carbon filter for odor control
- Energy Save feature monitors usage and adjusts heated seat settings to save energy
- Quiet-Close™ functionality to prevent seat from slamming
- Grip-Tight bumpers hold seat firmly in place
- Quick-Release™ functionality allows seat to be removed easily from toilet for convenient cleaning
- Fits most elongated toilets



Available Colors/Finishes

Color tiles intended for reference only.

- 0 White
- 96 Biscuit



1-800-4KOHLER (1-800-456-4537)
Kohler Co. reserves the right to make revisions without notice to product specifications.
For the most current specification sheet, go to www.kohler.com USA or www.kohler.ca Canada.
4-15-2026 6:35 - US-CA

THE BOLD LOOK
OF **KOHLER**

Codes/Standards

ASME A112.4.2/CSA B45.16
UL 1431
CSA C22.2 No. 64
CSA C22.2 No. 68

Technical Information

All product dimensions are nominal.

Seat Shape Type:	Elongated
Seat Front Type:	Closed-front
Seat-Mounting Holes:	5-1/2" (140 mm)

Material

- Plastic construction
-

Required Electrical Service

One dedicated circuit required, protected with Class A Ground-Fault Circuit-Interrupter (GFCI). Outside North America, this device may be known as a Residual Current Device (RCD).

Bidet toilet seat:	120 V, 15 A, 60 Hz
--------------------	--------------------

Electrical Component Ratings

Bidet toilet seat:	120 V, 15 A, 60 Hz, 1450 W
Power Cord Length:	51" (1295 mm)

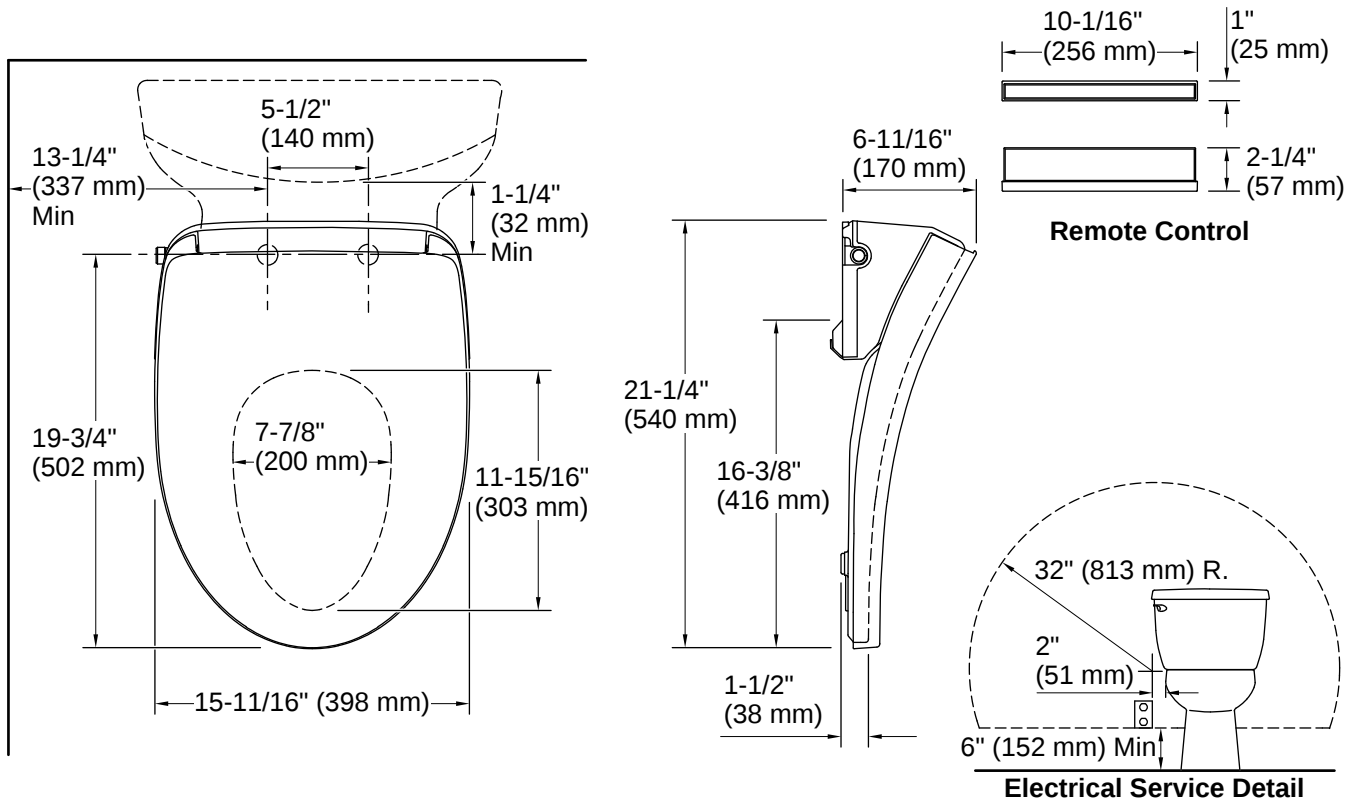
Warranty

See website for detailed warranty information.

KOHLER® Intelligent Toilet and C3® Cleansing Seat Three-Year Limited Warranty



1-800-4KOHLER (1-800-456-4537)
Kohler Co. reserves the right to make revisions without notice to product specifications.
For the most current specification sheet, go to www.kohler.com USA or www.kohler.ca Canada.
4-15-2026 6:35 - US-CA



Installation

- Requires connection to toilet water supply line. All hoses and connections are included
- Requires dedicated electrical GFCI circuit (120 V, 15 A, 60 Hz)

Installation Notes

Install this product according to the installation instructions.

To avoid possible product malfunction, do not plug in the seat until instructed to do so.

CAUTION: Risk of property damage. A single extension cord may be used provided the cord "Type" begins with "SJ", 12 gauge, grounded (12/3), no longer than 25 feet, and plugged into a GFCI outlet.

Promptly replace any extension cord that exhibits any sign of damage.

Connect the seat to a cold water supply of drinking quality water at a pressure of 20 psi - 80 psi (139 kPa - 551 kPa).

Do not install this seat in a location where: (1) water might be splashed on the product or (2) excessive moisture, high humidity levels, or condensation is present. This will avoid damage to the electronic components.

