



# Verdera® | K-28032

34" x 40" medicine cabinet

## Features

- Front mirror, inside door mirror, and back panel mirror provide superior visibility to make grooming easier
- Four adjustable tempered-glass shelves
- Finish-matched cabinet interior
- Vertically adjustable 3x magnifying mirror on inside of door
- Soft-close door prevents slamming
- Two-way adjustable hinges with 108° opening capability for easy cabinet access



## Available Colors/Finishes

*Color tiles intended for reference only.*

<sup>NA</sup> NA Not Applicable



1-800-4KOHLER (1-800-456-4537)  
Kohler Co. reserves the right to make revisions without notice to product specifications.  
For the most current specification sheet, go to [www.kohler.com](http://www.kohler.com) USA or [www.kohler.ca](http://www.kohler.ca) Canada.  
4-15-2026 6:39 - US-CA

THE BOLD LOOK  
OF **KOHLER**

---

## Codes/Standards

*None Applicable*

---

## Technical Information

*All product dimensions are nominal.*

Lighting Included: No  
Mirror Type: Polished Edge

**Cutout**  
Width: 32-5/8" (829 mm)  
Height: 38-1/4" (972 mm)  
Depth: 4" (102 mm)

---

## Material

- Anodized aluminum construction with a durable rustproof and chip-resistant finish
- 

## Required Products/Accessories

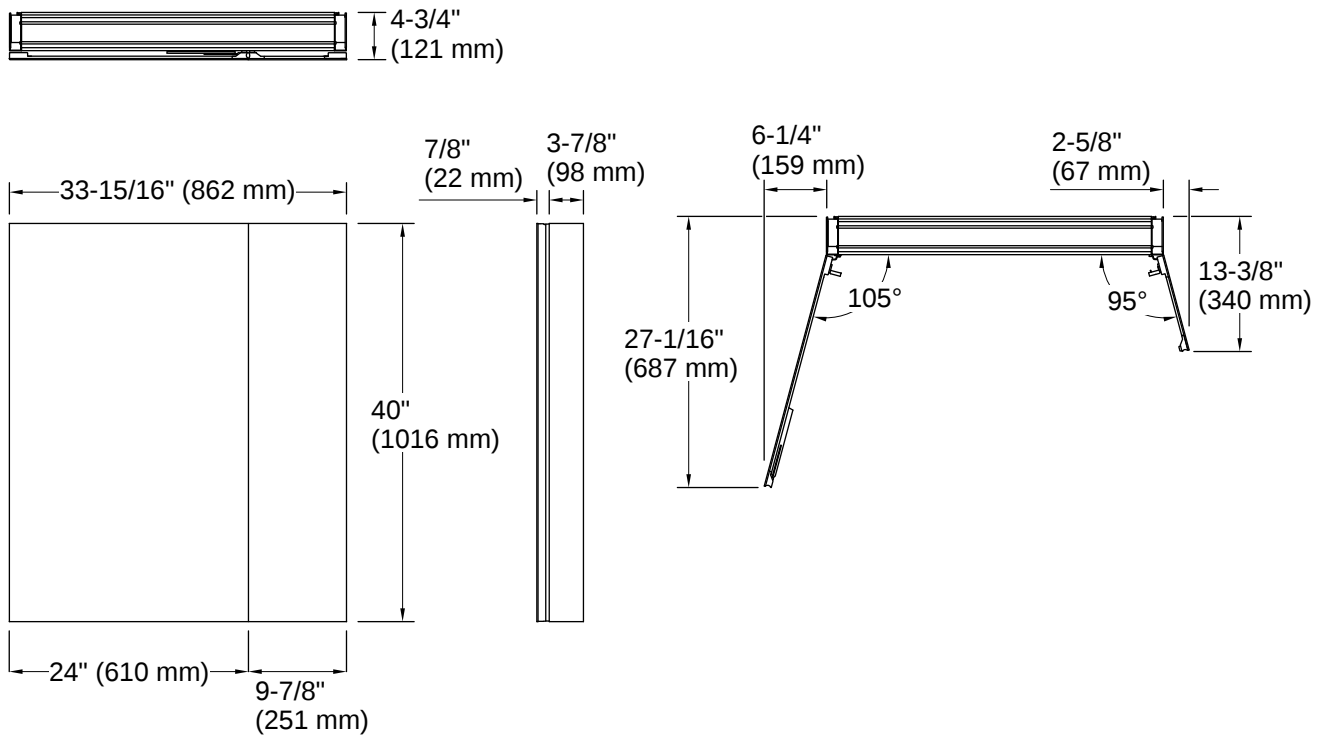
- K-28033 40" mirrored side kit for medicine cabinet
- 

## Warranty

*See website for detailed warranty information.*

KOHLER® One-Year Limited Warranty





## Installation

- Surface-mount or recessed
- Can be installed with left- or right-hand swing
- Includes mounting hardware for surface installation

## Installation Notes

*Install this product according to the installation instructions.*

When determining the height of the medicine cabinet, ensure the mirrored door will clear all obstacles (such as a faucet). A minimum distance of 3" (76 mm) is required.

This cabinet is designed for either right or left door swing. Check for obstructions.

