

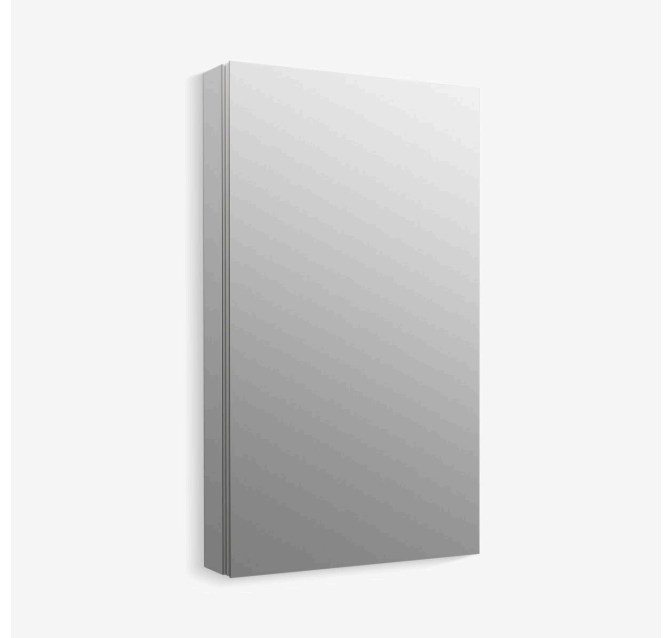


Verdera® | K-28031

24" x 40" medicine cabinet

Features

- Front mirror, inside door mirror, and back panel mirror provide superior visibility to make grooming easier
- Four adjustable tempered-glass shelves
- Finish-matched cabinet interior
- Vertically adjustable 3x magnifying mirror on inside of door
- Soft-close door prevents slamming
- Two-way adjustable hinges with 108° opening capability for easy cabinet access



Available Colors/Finishes

Color tiles intended for reference only.

^{NA} NA Not Applicable



1-800-4KOHLER (1-800-456-4537)
Kohler Co. reserves the right to make revisions without notice to product specifications.
For the most current specification sheet, go to www.kohler.com USA or www.kohler.ca Canada.
4-15-2026 6:39 - US-CA

THE BOLD LOOK
OF **KOHLER**

Codes/Standards

None Applicable

Technical Information

All product dimensions are nominal.

Lighting Included: No
Mirror Type: Polished Edge

Cutout
Width: 22-5/8" (575 mm)
Height: 38-1/4" (972 mm)
Depth: 4" (102 mm)

Material

- Anodized aluminum construction with a durable rustproof and chip-resistant finish
-

Required Products/Accessories

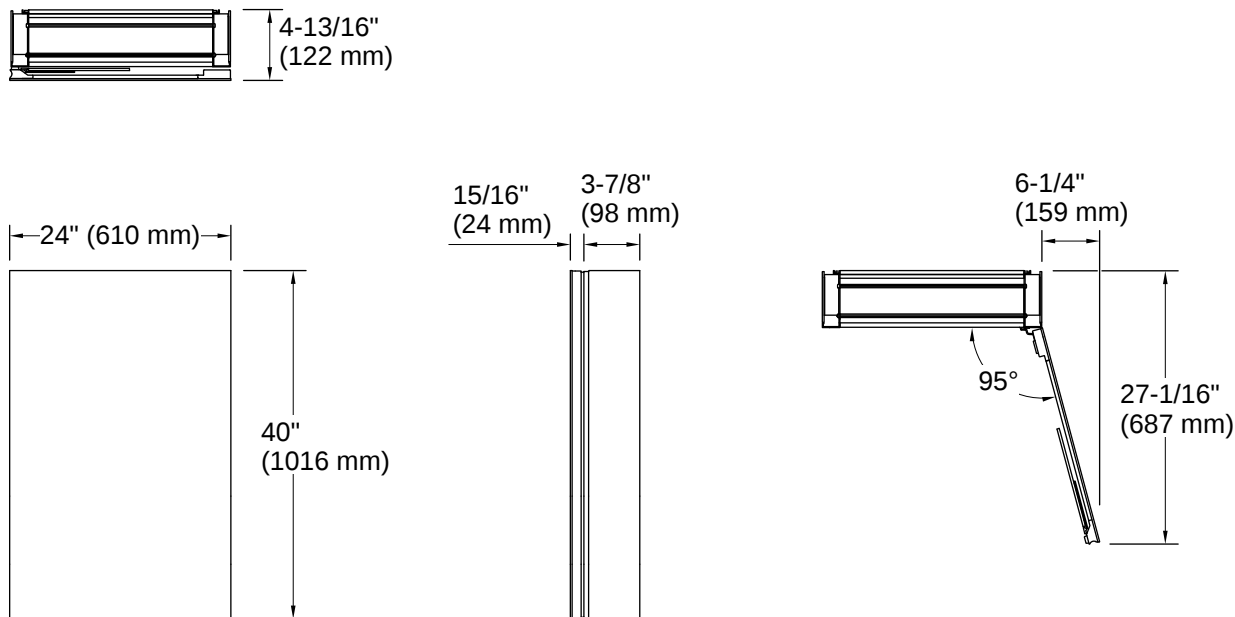
- K-28033 40" mirrored side kit for medicine cabinet
-

Warranty

See website for detailed warranty information.

KOHLER® One-Year Limited Warranty





Installation

- Surface-mount or recessed
- Can be installed with left- or right-hand swing
- Includes mounting hardware for surface installation

Installation Notes

Install this product according to the installation instructions.

When determining the height of the medicine cabinet, ensure the mirrored door will clear all obstacles (such as a faucet). A minimum distance of 3" (76 mm) is required.

