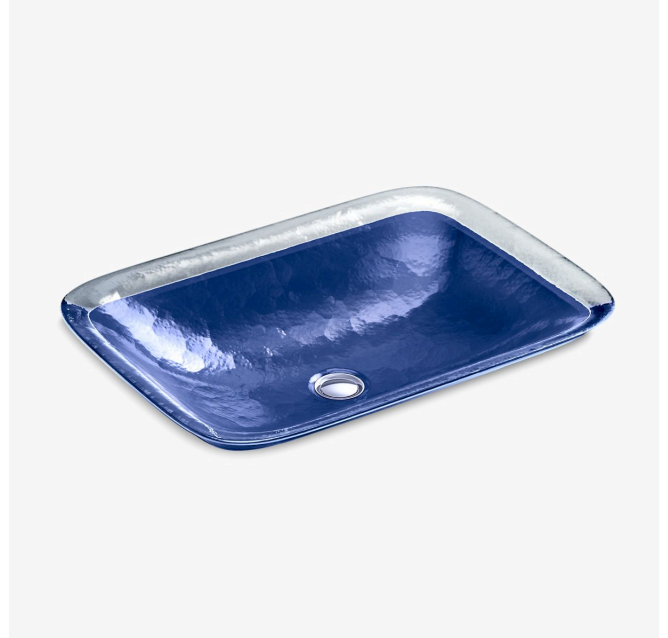


## Inia® | K-2773-G6

20-3/4" rectangular drop-in bathroom sink, no overflow

### Features

- Deep rectangular basin in opaque glass with rippled texture
- No faucet holes; requires wall- or counter-mount faucet
- Glass material provides a strong durable surface that is easy to clean yet visually distinctive
- The Inia sink is available in clear glass (Ice), translucent colors, and opaque colors
- Opaque color sinks feature a clear glass rim



### Available Colors/Finishes

*Color tiles intended for reference only.*

- G6- B11 Opaque Sapphire



---

## Codes/Standards

*ADA compliant when installed to the specific requirements of these regulations.*

ADA

CSA B45.11/IAPMO Z401

ADA

ICC/ANSI A117.1

---

## Technical Information

Basin Configuration:	Single Bowl
Basin Length:	20-1/8" (511 mm)
Basin Width:	14-3/8" (366 mm)
Basin Depth:	3-7/8" (99 mm)

---

## Material

- Glass
- 

## Recommended Products/Accessories

K-23726 Drain treatment

K-23723 Faucet cleaner

K-7107 Decorative grid drain without overflow

---

## Warranty

*See website for detailed warranty information.*

KOHLER® One-Year Limited Warranty

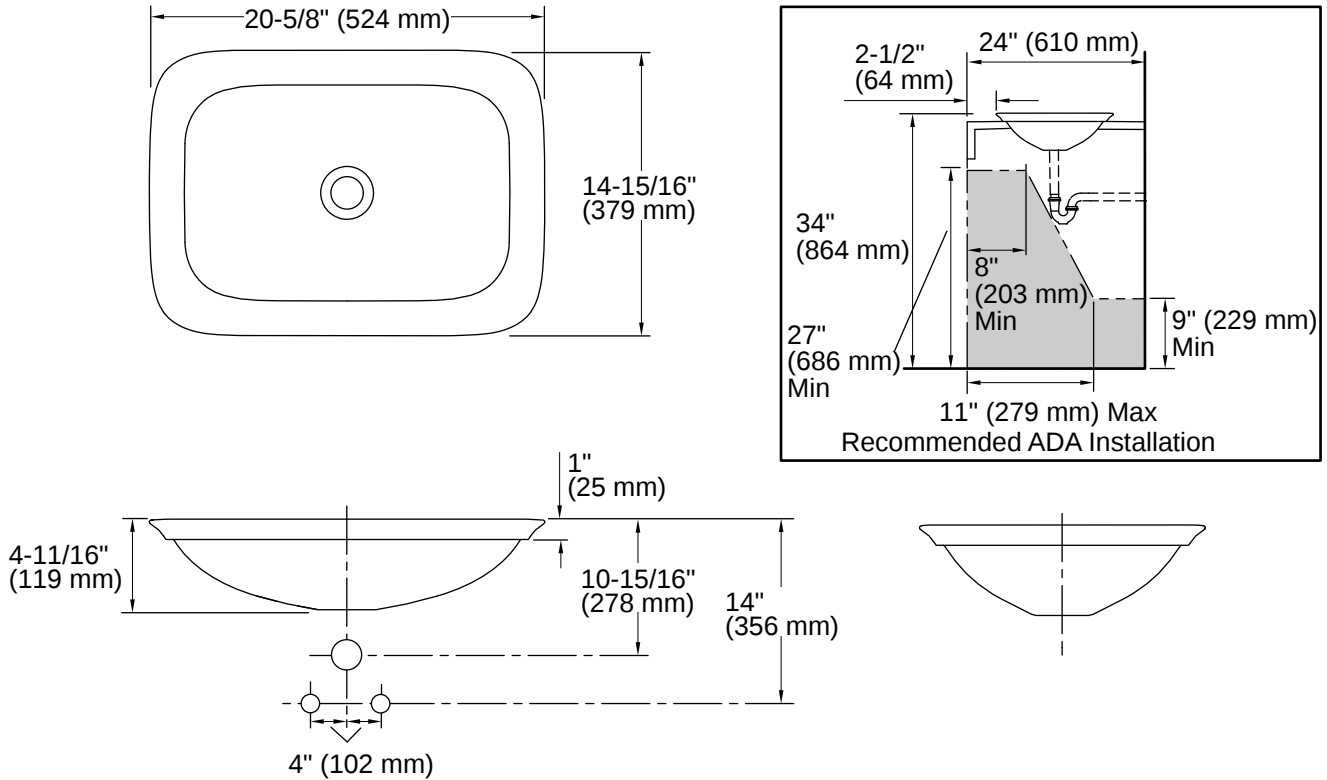


1-800-4KOHLER (1-800-456-4537)

Kohler Co. reserves the right to make revisions without notice to product specifications.

For the most current specification sheet, go to [www.kohler.com](http://www.kohler.com) USA or [www.kohler.ca](http://www.kohler.ca) Canada.

4-15-2026 4:11 - US-CA



## Installation

- Drop-in

## Installation Notes

*Install this product according to the installation instructions.*

Product does not have an overflow.

NOTICE: Countertop manufacturer or cutter must use the cut-out template provided with the product, or a current one provided by Kohler Co. (call 1-800-4KOHLER). Kohler Co. is not responsible for cut-out errors when the incorrect cut-out template is used.

Product must be installed with the supplied drain gasket kit.

ADA compliant when installed to the specific requirements of these regulations.



1-800-4KOHLER (1-800-456-4537)

Kohler Co. reserves the right to make revisions without notice to product specifications.

For the most current specification sheet, go to [www.kohler.com](http://www.kohler.com) USA or [www.kohler.ca](http://www.kohler.ca) Canada.

4-15-2026 4:11 - US-CA