



# Composed™ | K-27616-10L

Frameless pivot shower door, 71-3/4" H x 57-1/4 - 58" W, with 3/8" thick Crystal Clear glass

## Features

- Frameless design emphasizes glass and creates a sleek, minimalist look
- Full-length magnetic seal keeps door firmly closed, providing excellent water containment
- Innovative L- bracket secures the fixed panel in place and gives it a sturdy feel while also being unobtrusive to the showering space
- Continuous 7/8" (22 mm) high aluminum bottom threshold
- Back-to-back 11-1/2" (292 mm) vertical handles
- Coordinates with other products in the Composed® collection
- CleanCoat®+ glass coating creates a hydrophobic barrier that repels water, soap scum, and residue, saving time and protecting shower doors 10 times longer than original CleanCoat. (Based on 2021 internal wear/abrasion testing using a microfiber cloth.)



## Available Colors/Finishes

*Color tiles intended for reference only.*

- SHP Bright Polished Silver
- BL Matte Black
- BNK Anodized Brushed Nickel
- ABZ Anodized Dark Bronze



1-800-4KOHLER (1-800-456-4537)  
Kohler Co. reserves the right to make revisions without notice to product specifications.  
For the most current specification sheet, go to [www.kohler.com](http://www.kohler.com) USA or [www.kohler.ca](http://www.kohler.ca) Canada.  
4-15-2026 1:11 - US-CA

THE BOLD LOOK  
OF **KOHLER**

## Codes/Standards

ANSI Z97.1 (Tempered Glass)  
CAN/CGSB-12.1  
CPSC 16CFR 1201

---

## Technical Information

*All product dimensions are nominal.*

Base-To-Wall Radius - Maximum: 1/4" (6 mm)  
Shower Ledge Minimum Flat: 3/4" (19 mm)  
Shower Wall Minimum Flat: 5-1/2" (140 mm)  
Weight: 147.393 lbs (66.9 kg)

---

## Material

- Frameless, 3/8" (10 mm) thick Crystal Clear tempered glass
  - Anodized aluminum prevents rust and corrosion
- 

## Included Combo Skus

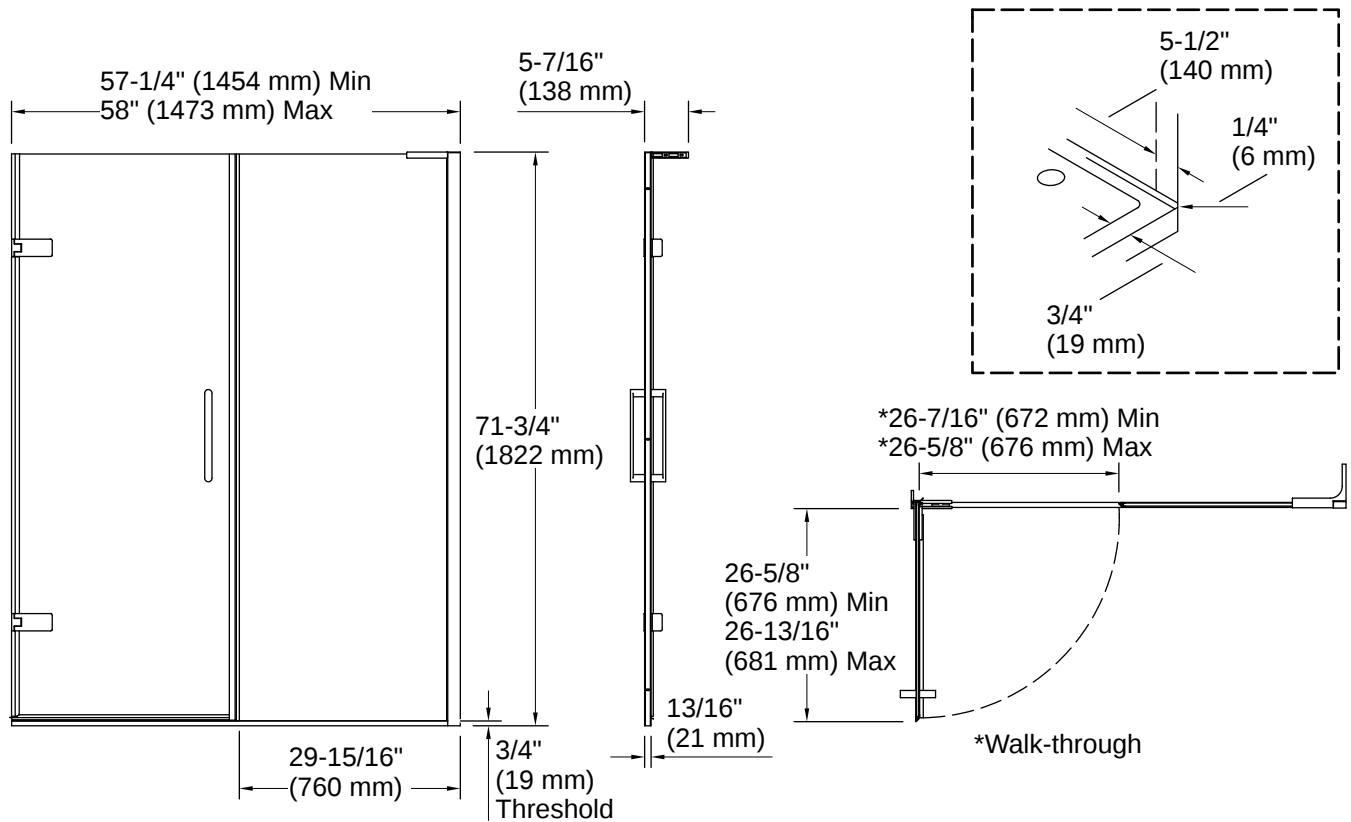
- 27716-10L 3/8" fixed panel glass and hardware
  - K-27678 11-1/2" shower door handle
  - 27718-10L 3/8" moving panel glass and hinges
- 

## Warranty

*See website for detailed warranty information.*

KOHLER® Bath and Shower Doors Ten-Year Limited Warranty





## Installation

- Fits opening widths 57-1/4"-58" (1454-1473 mm)
- 3/4" (19 mm) width adjustment
- Out-of-plumb adjustability simplifies installation
- Door can be installed to open to the left or right to suit your bathroom layout
- Product ships in two boxes, offering easy handling
- For residential use only
- Not for use in hospitality

## Installation Notes

*Install this product according to the installation instructions.*

The vertical opening should be a minimum of 73-1/2" (1867 mm) to allow for installation clearance.

