



# Components™ | K-27605-10L

Frameless pivot shower door, 71-3/4" H x 45-1/4 - 46" W, with 3/8" thick Crystal Clear glass

## Features

- Frameless design emphasizes glass and creates a sleek, minimalist look
- Full-length magnetic seal keeps door firmly closed, providing excellent water containment
- Innovative L- bracket secures the fixed panel in place and gives it a sturdy feel while also being unobtrusive to the showering space
- Continuous 7/8" (22 mm) high aluminum bottom threshold
- Back-to-back 11-3/16" (284 mm) vertical shower door pulls
- Coordinates with other products in the Components collection
- CleanCoat®+ glass coating creates a hydrophobic barrier that repels water, soap scum, and residue, saving time and protecting shower doors 10 times longer than original CleanCoat. (Based on 2021 internal wear/abrasion testing using a microfiber cloth.)



## Available Colors/Finishes

*Color tiles intended for reference only.*

- SHP Bright Polished Silver
- BL Matte Black
- BNK Anodized Brushed Nickel
- ABZ Anodized Dark Bronze



## Codes/Standards

ANSI Z97.1 (Tempered Glass)  
CAN/CGSB-12.1  
CPSC 16CFR 1201

---

## Technical Information

*All product dimensions are nominal.*

Base-To-Wall Radius - Maximum: 1/4" (6 mm)  
Shower Ledge Minimum Flat: 3/4" (19 mm)  
Shower Wall Minimum Flat: 5-1/2" (140 mm)  
Weight: 117.829 lbs (53.4 kg)

---

## Material

- Frameless, 3/8" (10 mm) thick Crystal Clear tempered glass
  - Anodized aluminum prevents rust and corrosion
- 

## Included Combo Skus

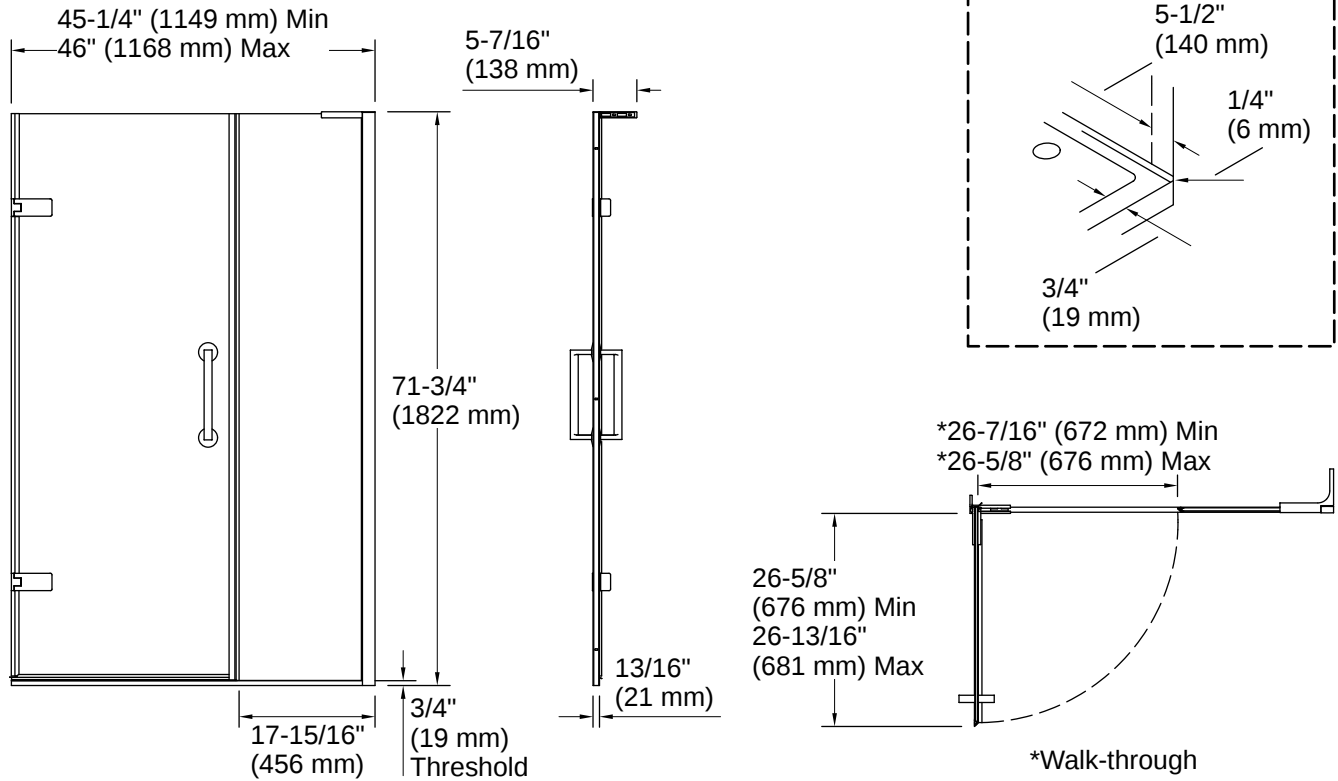
- K-27679 11" shower door handle
  - 27714-10L 3/8" pivot door glass and hardware, no handle
- 

## Warranty

*See website for detailed warranty information.*

KOHLER® Bath and Shower Doors Ten-Year Limited Warranty





## Installation

- Fits opening widths 45-1/4"-46" (1149-1168 mm)
- 3/4" (19 mm) width adjustment
- Out-of-plumb adjustability simplifies installation
- Door can be installed to open to the left or right to suit your bathroom layout
- For residential use only
- Not for use in hospitality

## Installation Notes

*Install this product according to the installation instructions.*

The vertical opening should be a minimum of 73-1/2" (1867 mm) to allow for installation clearance.

