



Composed™ | K-27588-10L

Frameless pivot shower door, 71-9/16" H x 33-5/8 - 34-3/8" W, with 3/8" thick Crystal Clear glass

Features

- Frameless design emphasizes glass and creates a sleek, minimalist look
- Full-length magnetic seal keeps door firmly closed, providing excellent water containment
- Continuous 7/8" (22 mm) high aluminum bottom threshold
- Back-to-back 11-1/2" (292 mm) vertical handles
- Coordinates with other products in the Composed® collection
- CleanCoat®+ glass coating creates a hydrophobic barrier that repels water, soap scum, and residue, saving time and protecting shower doors 10 times longer than original CleanCoat. (Based on 2021 internal wear/abrasion testing using a microfiber cloth.)



Available Colors/Finishes

Color tiles intended for reference only.

- SHP Bright Polished Silver
- BL Matte Black
- BNK Anodized Brushed Nickel
- ABZ Anodized Dark Bronze



1-800-4KOHLER (1-800-456-4537)
Kohler Co. reserves the right to make revisions without notice to product specifications.
For the most current specification sheet, go to www.kohler.com USA or www.kohler.ca Canada.
4-15-2026 1:11 - US-CA

THE BOLD LOOK
OF **KOHLER**

Codes/Standards

ANSI Z97.1 (Tempered Glass)
CAN/CGSB-12.1
CPSC 16CFR 1201

Technical Information

All product dimensions are nominal.

Base-To-Wall Radius - Maximum: 1/4" (6 mm)
Shower Ledge Minimum Flat: 3/4" (19 mm)
Shower Wall Minimum Flat: 2-1/4" (57 mm)
Weight: 88.891 lbs (40.3 kg)

Material

- Frameless, 3/8" (10 mm) thick Crystal Clear tempered glass
 - Anodized aluminum prevents rust and corrosion
-

Included Combo Skus

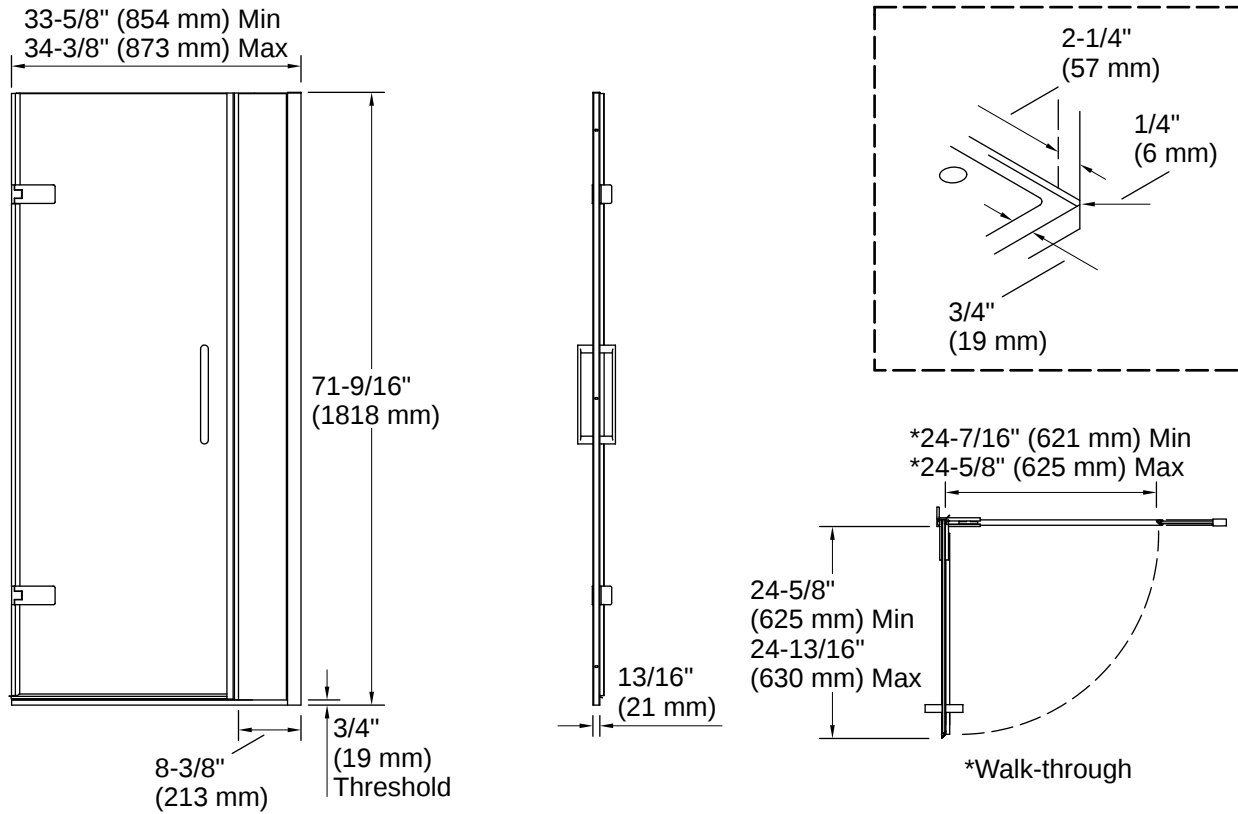
- 27709-10L 3/8" pivot door glass and hardware, no handle
 - K-27678 11-1/2" shower door handle
-

Warranty

See website for detailed warranty information.

KOHLER® Bath and Shower Doors Ten-Year Limited Warranty





Installation

- Fits opening widths 33-5/8"-34-3/8" (854-873 mm)
- 3/4" (19 mm) width adjustment
- Out-of-plumb adjustability simplifies installation
- Door can be installed to open to the left or right to suit your bathroom layout
- For residential use only
- Not for use in hospitality

Installation Notes

Install this product according to the installation instructions.

The vertical opening should be a minimum of 73-1/2" (1867 mm) to allow for installation clearance.

