

Whist® | K-2741-G6

19" oval wall-mount/undermount bathroom sink, no overflow

Features

- Bowl-shaped basin in Sapphire with concentric ring styling
- No faucet holes; requires wall- or counter-mount faucet
- Glass material provides a strong durable surface that is easy to clean yet visually distinctive
- Fits in or within a standard size countertop and works with a variety of faucet styles
- The Whist sink is available in clear glass (Ice), translucent colors, and opaque colors



Available Colors/Finishes

Color tiles intended for reference only.

- AE-G6 Opaque Sapphire



Codes/Standards

ADA compliant when installed to the specific requirements of these regulations.

ADA

CSA B45.11/IAPMO Z401

ADA

ICC/ANSI A117.1

Technical Information

| | |
|----------------------|-------------------|
| Drain Hole Diameter: | 1-3/4" (44 mm) |
| Basin Configuration: | Single Bowl |
| Basin Length: | 17-3/16" (437 mm) |
| Basin Width: | 14-3/16" (360 mm) |
| Basin Depth: | 4-3/4" (121 mm) |

Material

- Glass
-

Recommended Products/Accessories

K-23726 Drain treatment

K-7107 Decorative grid drain without overflow

K-7108 Decorative grid drain without overflow

K-7129 Bathroom sink grid drain without overflow

K-9018 Adjustable P-trap with long tubing outlet, 1-1/4" x 1-1/4"

K-23723 Faucet cleaner

Warranty

See website for detailed warranty information.

KOHLER® One-Year Limited Warranty

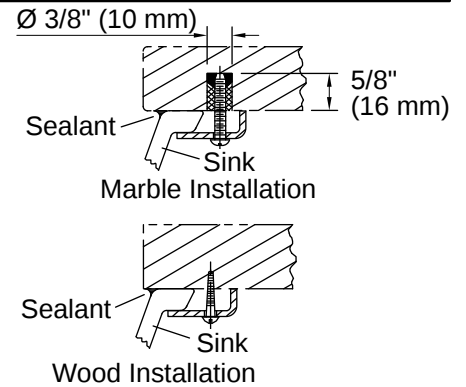
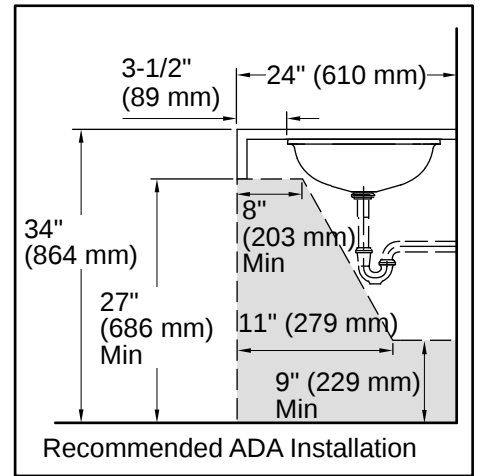
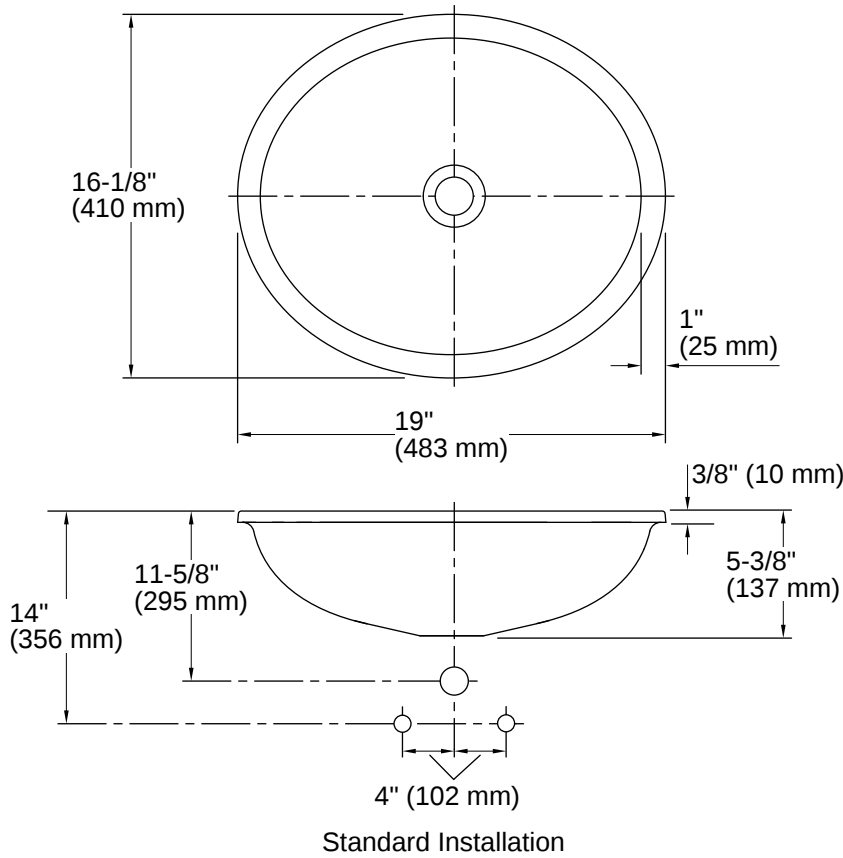


1-800-4KOHLER (1-800-456-4537)

Kohler Co. reserves the right to make revisions without notice to product specifications.

For the most current specification sheet, go to www.kohler.com USA or www.kohler.ca Canada.

4-15-2026 3:58 - US-CA



Installation

- Undermount

Installation Notes

Install this product according to the installation instructions.

NOTICE: Countertop manufacturer or cutter must use the cut-out template provided with the product, or a current one provided by Kohler Co. (call 1-800-4-KOHLER). Kohler Co. is not responsible for cutout errors when the incorrect cut-out template is used.

ADA compliant when installed to the specific requirements of these regulations.

