



# Bellera® | K-27379-4K

Single-handle bathroom sink faucet, 1.0 gpm

## Features

- A single handle controls both on/off activation and temperature setting
- 1.0 gpm (3.8 lpm) maximum flow rate at 60 psi (4.14 bar)
- KOHLER® ceramic disc valves exceed industry longevity standards for a lifetime of durable performance
- Clicker drain with tailpiece and overflow
- Coordinates with other products in the Bellera collection
- This product can help a building earn Water Efficiency points in LEED® Green Building Rating System



## Sustainability



## Available Colors/Finishes

*Color tiles intended for reference only.*

- CP Polished Chrome
- BN Vibrant Brushed Nickel
- BL Matte Black



1-800-4KOHLER (1-800-456-4537)  
Kohler Co. reserves the right to make revisions without notice to product specifications.  
For the most current specification sheet, go to [www.kohler.com](http://www.kohler.com) USA or [www.kohler.ca](http://www.kohler.ca) Canada.  
4-13-2026 21:9 - US-CA

THE BOLD LOOK  
OF **KOHLER**®

## Codes/Standards

ADA, OBC, CSA B651 compliant when installed to the specific requirements of these regulations.



ADA   CSA B651   OBC

ASME A112.18.1/CSA B125.1  
NSF/ANSI/CAN 372  
NSF/ANSI/CAN 61  
DOE - Energy Policy Act 1992  
EPA WaterSense®  
California Energy Commission (CEC)  
NSF/ANSI/CAN 61|NSF/ANSI/CAN 372  
ADA  
ICC/ANSI A117.1  
CSA B651  
OBC

## Technical Information

All product dimensions are nominal.

### Handle

Handle Style/ Type:                      Lever

### Spout

Spout Reach:                                5-1/16" (129 mm)

### Flow Rate

Faucet Flow Rate:                        1 gpm (3.8 l/min)

## Valves

Included Valve:                            Ceramic disc

## Material

- Premium material construction for durability and reliability
- KOHLER finishes resist corrosion and tarnishing

## Recommended Products/Accessories

K-23726 Drain treatment

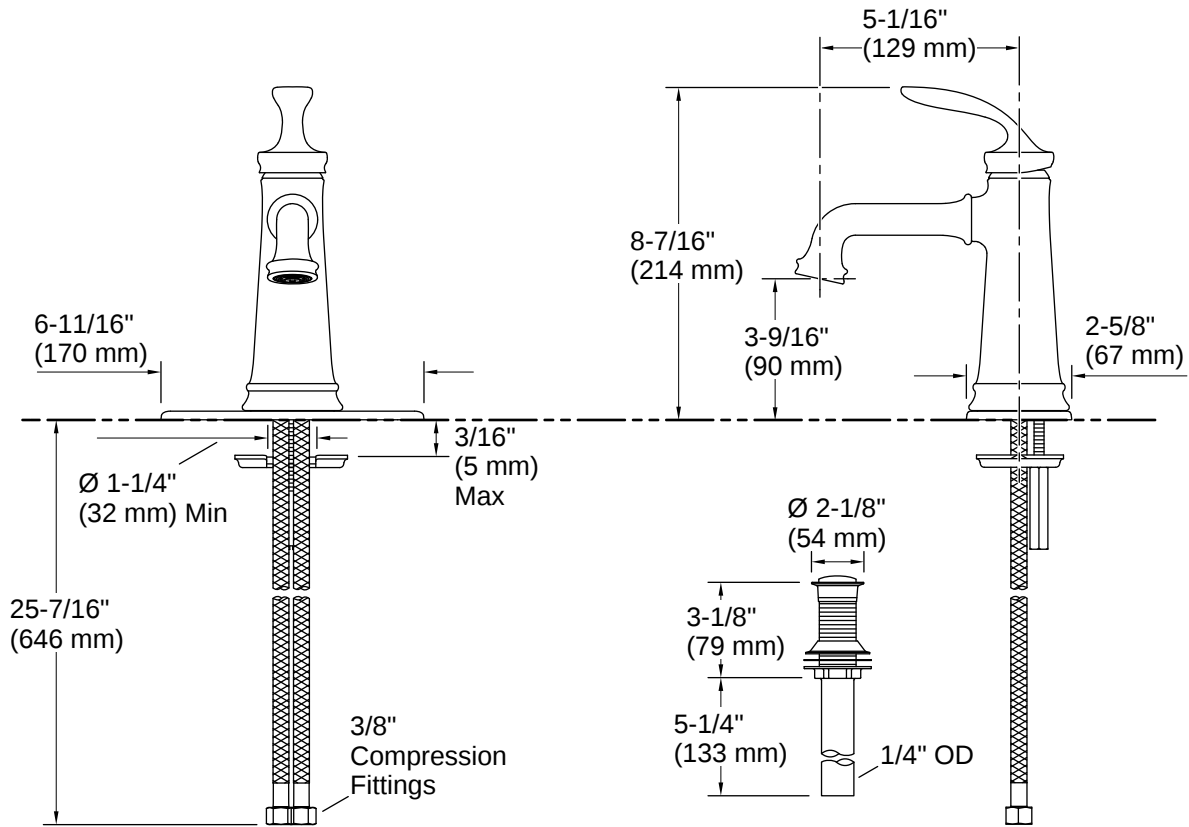
K-23723 Faucet cleaner

## Warranty

See website for detailed warranty information.

KOHLER® Faucet Lifetime Limited Warranty





## Installation

- For single-hole or 4" (102 mm) centerset installation (escutcheon plate included)
- Deck-mount
- Preattached flexible supply lines simplify installation

## Installation Notes

*Install this product according to the installation instructions.*

ADA, OBC, CSA B651 compliant when installed to the specific requirements of these regulations.

