

Occasion® | K-27010-4

Lever bathroom sink faucet handles

Features

- Two Lever handles offer separate control of hot and cold water
- Part of the Occasion bathroom faucet and accessory collection
- UltraGlide® valves with dry-stem technology are designed to eliminate common leak paths and provide smooth, effortless control



Sustainability



Available Colors/Finishes

Color tiles intended for reference only.

- CP Polished Chrome
- SN Vibrant Polished Nickel
- AF Vibrant French Gold
- BN Vibrant Brushed Nickel
- BV Vibrant Brushed Bronze
- BL Matte Black
- 2MB Vibrant Brushed Moderne Brass
- BMB Matte Black with Brushed Moderne Brass



Codes/Standards

ADA, OBC, CSA B651 compliant when installed to the specific requirements of these regulations.

ADA CSA B651 OBC

ASME A112.18.1/CSA B125.1
NSF/ANSI/CAN 372
NSF/ANSI/CAN 61
NSF/ANSI/CAN 61|NSF/ANSI/CAN 372
ADA
ICC/ANSI A117.1
CSA B651
OBC

Technical Information

All product dimensions are nominal.

Handle

Handle Style/ Type: Lever

Spout

Drain With Overflow: Yes

Flow Rate

Faucet Flow Rate: 1.2 gpm (4.5 l/min)

Valves

Included Valves: UltraGlide, Volume Control

Material

- Premium metal construction for durability and reliability
- KOHLER finishes resist corrosion and tarnishing

Recommended Products/Accessories

K-23723 Faucet cleaner
 K-27060 18" towel bar
 K-27061 24" towel bar
 K-27063 Towel ring
 K-27064 Vertical toilet paper holder
 K-27065 Pivoting toilet paper holder
 K-27069 Robe hook
 K-27128 Toilet paper holder with tray
 K-27062 24" double towel bar
 K-77967 Bathroom sink faucet spout with Tube design, 1.2 gpm
 K-77965 Bathroom sink faucet spout with Tube design, 1.2 gpm
 K-77968 Bathroom sink faucet spout with Ribbon design, 1.2 gpm
 K-77969 Bathroom sink faucet spout with Row design, 1.2 gpm

Required Products/Accessories

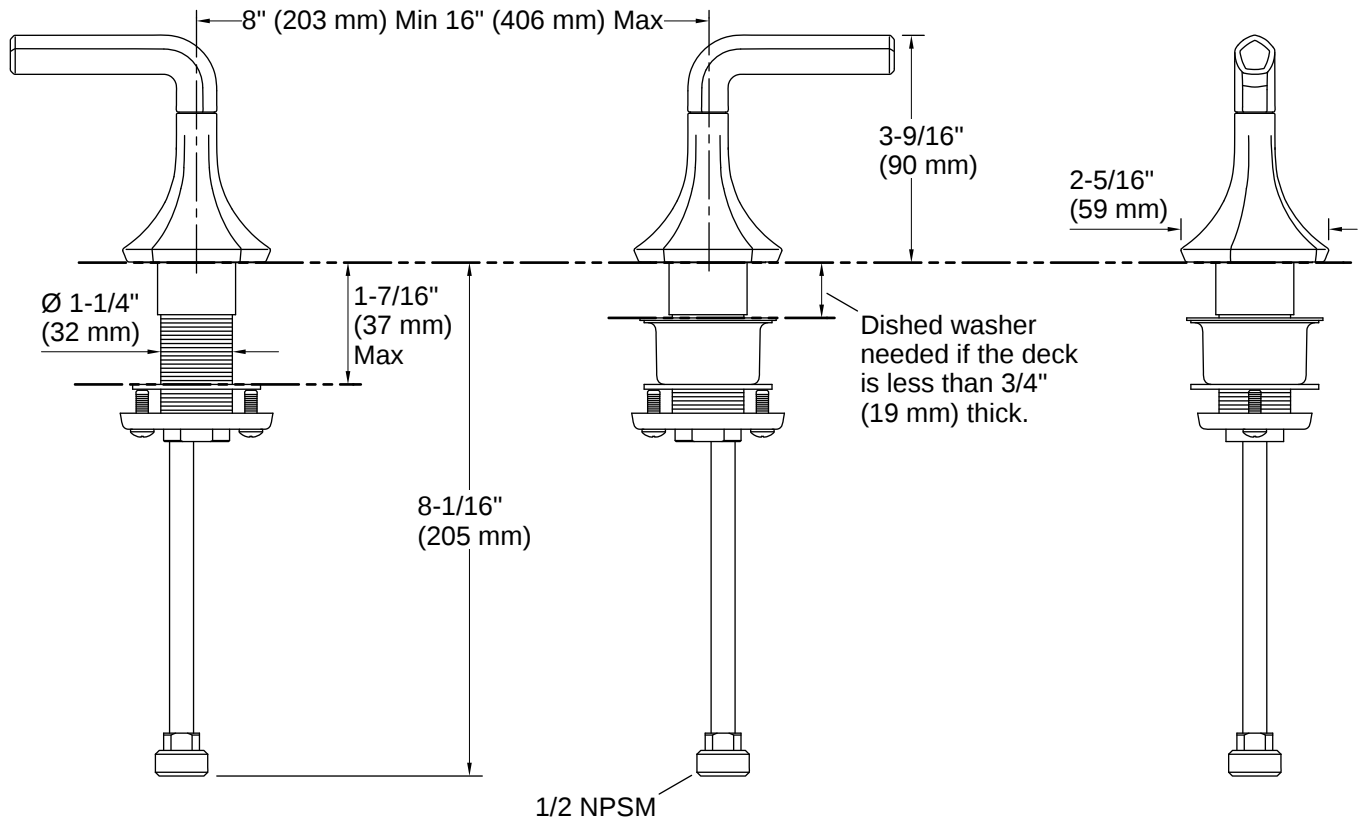
- K-27008 Bathroom sink faucet spout with Cane design, 1.2 gpm
- K-27009 Bathroom sink faucet spout with Straight design, 1.2 gpm

Warranty

See website for detailed warranty information.

KOHLER® Faucet Lifetime Limited Warranty





Installation

- For 8" - 16" (203 - 406 mm) centers
- Deck-mount
- Handles are preassembled on valves to simplify installation

Installation Notes

Install this product according to the installation instructions.

ADA, OBC, CSA B651 compliant when installed to the specific requirements of these regulations.

