



Occasion® | K-27008-N

Bathroom sink faucet spout with Cane design, 0.5 gpm

Features

- 0.5 gpm (1.9 lpm) maximum flow rate at 60 psi (4.14 bar)
- Laminar flow
- Metal pop-up drain with lift rod and 1-1/4" tailpiece
- Part of the Occasion bathroom faucet and accessory collection



Sustainability



Codes/Standards



ASME A112.18.1/CSA B125.1
NSF/ANSI/CAN 372
NSF/ANSI/CAN 61
DOE - Energy Policy Act 1992
California Energy Commission (CEC)
NSF/ANSI/CAN 61|NSF/ANSI/CAN 372

Warranty

See website for detailed warranty information.

KOHLER® Faucet Lifetime Limited Warranty

Technical Information

All product dimensions are nominal.

Spout

Spout Reach: 6" (152 mm)
Drain With Overflow: Yes

Flow Rate

Faucet Flow Rate: 0.5 gpm (1.9 l/min)

Material

- Premium metal construction for durability and reliability
- KOHLER finishes resist corrosion and tarnishing

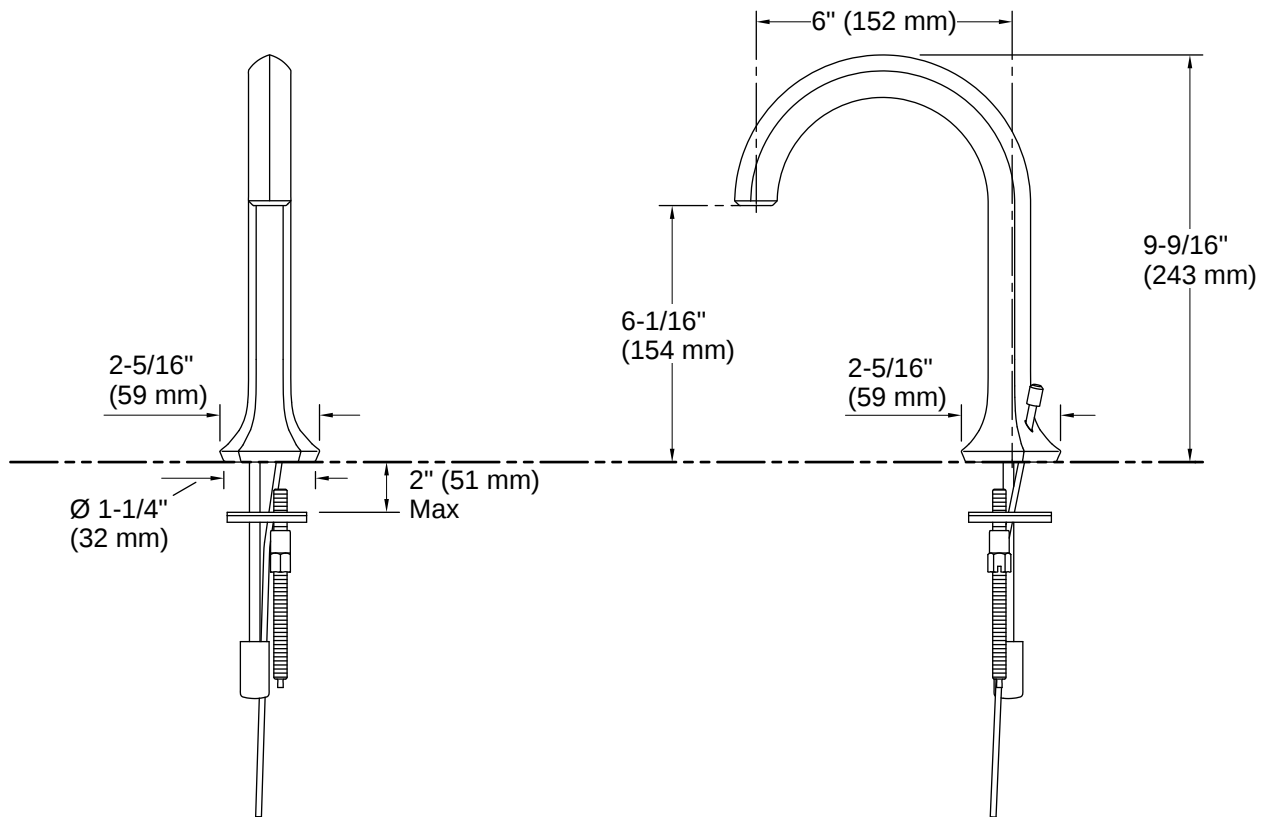
Recommended Products/Accessories

K-23723 Faucet cleaner

Required Products/Accessories

- K-27010-3 Cross bathroom sink faucet handles
- or
- K-27010-4 Lever bathroom sink faucet handles
- or
- K-27010-9 Knob bathroom sink faucet handles





Installation

- For 8" - 16" (203 - 406 mm) centers
- Deck-mount

Installation Notes

Install this product according to the installation instructions.

