

KOHLER®

Occasion® | K-27000-4N

Single-handle bathroom sink faucet, 0.5 gpm

Features

- A single handle controls both on/off activation and temperature setting
- 0.5 gpm (1.9 lpm) maximum flow rate at 60 psi (4.14 bar)
- KOHLER® ceramic disc valves exceed industry longevity standards for a lifetime of durable performance
- Clicker drain with tailpiece
- Part of the Occasion bathroom faucet and accessory collection



Sustainability



1-800-4KOHLER (1-800-456-4537)
Kohler Co. reserves the right to make revisions without notice to product specifications.
For the most current specification sheet, go to www.kohler.com USA or www.kohler.ca Canada.
4-15-2026 5:55 - US-CA

THE BOLD LOOK
OF **KOHLER**®

Codes/Standards

ADA, OBC, CSA B651 compliant when installed to the specific requirements of these regulations.

ADA CSA B651 OBC

ASME A112.18.1/CSA B125.1
NSF/ANSI/CAN 372
NSF/ANSI/CAN 61
DOE - Energy Policy Act 1992
California Energy Commission (CEC)
NSF/ANSI/CAN 61|NSF/ANSI/CAN 372
ADA
ICC/ANSI A117.1
CSA B651
OBC

Technical Information

All product dimensions are nominal.

Handle

Handle Style/ Type: Lever

Spout

Spout Reach: 5-5/16" (135 mm)

Drain With Overflow: Yes

Flow Rate

Faucet Flow Rate: 0.5 gpm (1.9 l/min)

Valves

Included Valves: Ceramic disc, Thermostatic, Volume Control

Material

- Premium metal construction for durability and reliability
- KOHLER finishes resist corrosion and tarnishing

Recommended Products/Accessories

K-23726 Drain treatment

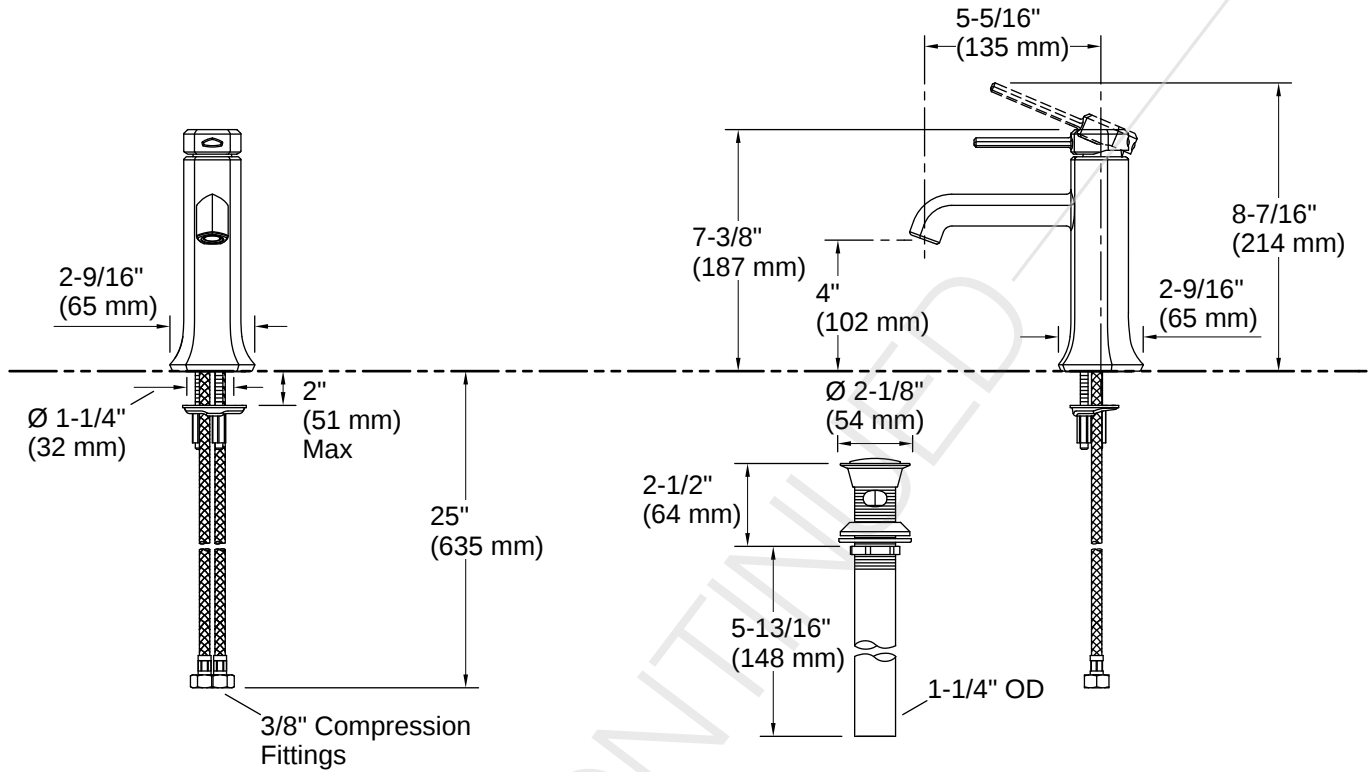
K-23723 Faucet cleaner

Warranty

See website for detailed warranty information.

KOHLER® Faucet Lifetime Limited Warranty





Installation

- Single hole
- Preattached flexible supply lines simplify installation

Installation Notes

Install this product according to the installation instructions.

ADA, OBC, CSA B651 compliant when installed to the specific requirements of these regulations.

