



# Bryant® | K-2699-4

20-1/4" oval drop-in bathroom sink

## Features

- 4" (102 mm) centerset faucet holes
- Oval basin
- Overflow drain



## Available Colors/Finishes

*Color tiles intended for reference only.*

- 0 White
- 96 Biscuit
- 7 Black Black



## Codes/Standards

ADA, OBC, CSA B651 compliant when installed to the specific requirements of these regulations.

ADA CSA B651 OBC

ASME A112.19.2/CSA B45.1

ADA

ICC/ANSI A117.1

CSA B651

OBC

## Technical Information

Number of Deck Holes:	3
Faucet Hole(s) Size:	1-1/4" (32 mm)
Center(s):	4" (102 mm)
With Overflow:	Yes
Drain Hole Diameter:	1-3/4" (44 mm)
Basin Configuration:	Single Bowl
Basin Length:	17-3/8" (441 mm)
Basin Width:	11-1/8" (283 mm)
Basin Depth:	6" (153 mm)

## Material

- Vitreous china

## Recommended Products/Accessories

K-23726 Drain treatment

K-9018 Adjustable P-trap with long tubing outlet, 1-1/4" x 1-1/4"

K-23725 Cast iron cleaner

K-7129-A Bathroom sink grid drain with overflow

## Warranty

See website for detailed warranty information.

KOHLER® Vitreous China Bathroom Sink Lifetime Limited Warranty

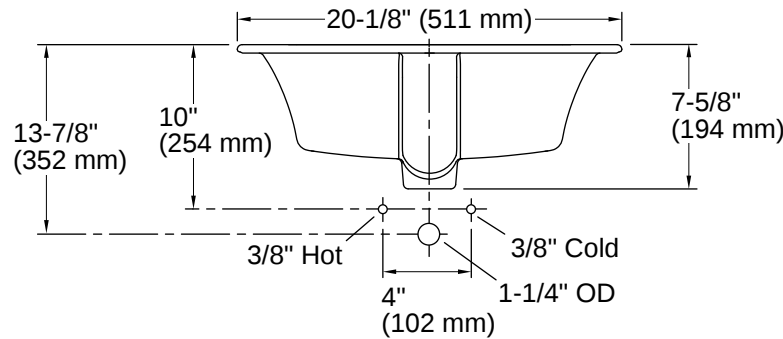
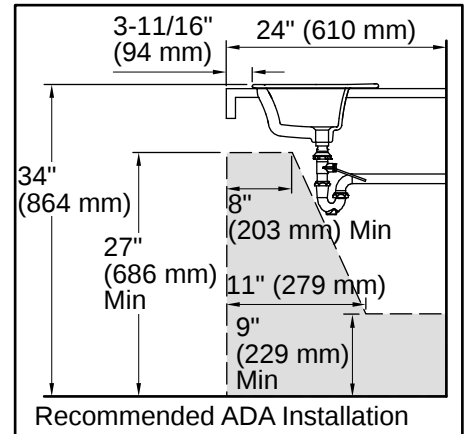
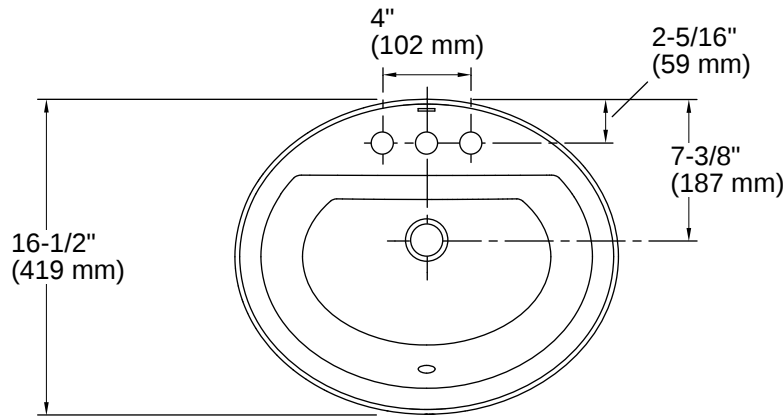


1-800-4KOHLER (1-800-456-4537)

Kohler Co. reserves the right to make revisions without notice to product specifications.

For the most current specification sheet, go to [www.kohler.com](http://www.kohler.com) USA or [www.kohler.ca](http://www.kohler.ca) Canada.

4-15-2026 3:27 - US-CA



## Installation

- Drop-in

## Installation Notes

*Install this product according to the installation instructions.*

Spout must be 5" (12.7 cm) long (min) for adequate clearance into the lavatory when installed with the centerline as shown.

NOTICE: Countertop manufacturer or cutter must use the cut-out template provided with the product, or a current one provided by Kohler Co. (call 1-800-4-KOHLER). Kohler Co. is not responsible for cutout errors when the incorrect cut-out template is used.

Product dimensions are nominal and may vary per ASME A112.19.2 tolerances.

ADA, OBC, CSA B651 compliant when installed to the specific requirements of these regulations.

