



# Awaken® | K-26914-Y

Showering kit, 2.5 gpm

## Features

- Multifunction handshower offers three spray experiences: wide coverage, intense drenching, and targeted
- Wide coverage spray produces an encompassing spray for everyday use
- Intense drenching spray delivers a forceful spray ideal for rinsing shampoo from hair
- Targeted spray is a focused stream for targeting sore muscles or use as a utility spray
- Handshower holder pivots to adjust the angle of the spray
- Simple thumb tab smoothly transitions between sprays
- Single-function rainhead
- A single handle controls both on/off activation and temperature setting
- MasterClean™ sprayface features an easy-to-clean surface that withstands mineral buildup and maximizes spray performance
- 2.5 gpm (9.5 lpm) maximum flow rate at 45 psi (3.1 bar)
- 60" (1524 mm) hose length
- Adjustable mounting brackets offer installation flexibility
- Includes handshower, rainhead, rainhead arm with flange, wall-mount supply elbow with check valve, 30" (762 mm) slidebar, 60" (1524 mm) hose, valve trim, mounting hardware



## Available Colors/Finishes

*Color tiles intended for reference only.*

- CP Polished Chrome
- BL Matte Black
- 2MB Vibrant Brushed Moderne Brass



1-800-4KOHLER (1-800-456-4537)  
Kohler Co. reserves the right to make revisions without notice to product specifications.  
For the most current specification sheet, go to [www.kohler.com](http://www.kohler.com) USA or [www.kohler.ca](http://www.kohler.ca) Canada.  
4-14-2026 0:34 - US-CA

THE BOLD LOOK  
OF **KOHLER**

## Codes/Standards

ASME A112.18.1/CSA B125.1  
DOE - Energy Policy Act 1992

## Technical Information

*All product dimensions are nominal.*

### Handle

Handle Style/ Type: Lever

### Flow Rate

Shower/Rainhead Rated 2.5 gpm (9.5 l/min)

Maximum Flow:

Handshower Rated Maximum 2.5 gpm (9.5 l/min)

Flow:

## Valves

Included Valve: Transfer

### Shower Valve

Flow Rate Maximum @ 45 psi: 2.5 gpm (9.5 l/min)

Manufacturer's Minimum 2.5 gpm (9.5 l/min)

Rated Flow:

Pressure: 45 psi (3.1 bar)

Maximum Static Pressure: 125 psi (8.6 bar)

Minimum Operating Pressure: 15 psi (1 bar)

## Material

- KOHLER finishes resist corrosion and tarnishing

## Required Products/Accessories

- K-8304 Series Rite-Temp® Valve & Cartridge Kits (QTY 19)

or

- K-28304-K Thermostatic valve body and cartridge kit

- K-28304-KS Thermostatic valve body and cartridge kit with service stops

- K-28304-KSL Thermostatic valve body and cartridge kit with loose service stops

or

- K-728-K 3/4" 2- or 3-way transfer valve

or

- K-737-K 2- or 3-way diverter valve

## Warranty

*See website for detailed warranty information.*

KOHLER® Faucet Lifetime Limited Warranty

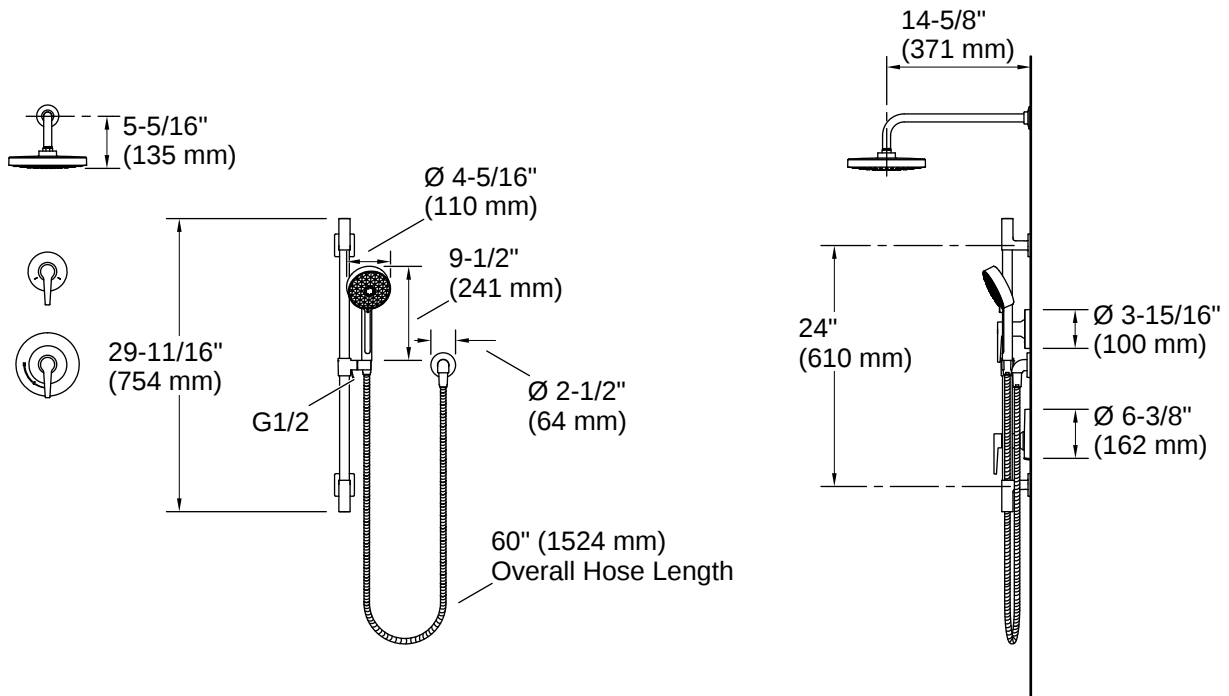


1-800-4KOHLER (1-800-456-4537)

Kohler Co. reserves the right to make revisions without notice to product specifications.

For the most current specification sheet, go to [www.kohler.com](http://www.kohler.com) USA or [www.kohler.ca](http://www.kohler.ca) Canada.

4-14-2026 0:34 - US-CA



## Installation Notes

*Install this product according to the installation instructions.*

For use with showerheads or handsprays rated at 2.5 gal/min (9.5 l/min) or higher.

