



# Vox® | K-2661

16-1/4" square vessel bathroom sink

## Features

- No faucet holes; requires wall- or counter-mount faucet



## Available Colors/Finishes

*Color tiles intended for reference only.*

- 0 White
- 96 Biscuit
- 7 Black Black



1-800-4KOHLER (1-800-456-4537)  
Kohler Co. reserves the right to make revisions without notice to product specifications.  
For the most current specification sheet, go to [www.kohler.com](http://www.kohler.com) USA or [www.kohler.ca](http://www.kohler.ca) Canada.  
4-15-2026 6:3 - US-CA

THE BOLD LOOK  
OF **KOHLER**

## Codes/Standards

ADA, CSA B651 compliant when installed to the specific requirements of these regulations.

ADA CSA B651

ASME A112.19.2/CSA B45.1  
ADA  
ICC/ANSI A117.1  
CSA B651

## Technical Information

With Overflow:	Yes
Drain Hole Diameter:	1-3/4" (44 mm)
Basin Configuration:	Single Bowl
Basin Length:	15-3/4" (400 mm)
Basin Width:	15-3/4" (400 mm)
Basin Depth:	5-5/16" (134 mm)

## Material

- Vitreous china

## Recommended Products/Accessories

K-23726 Drain treatment  
K-23725 Cast iron cleaner

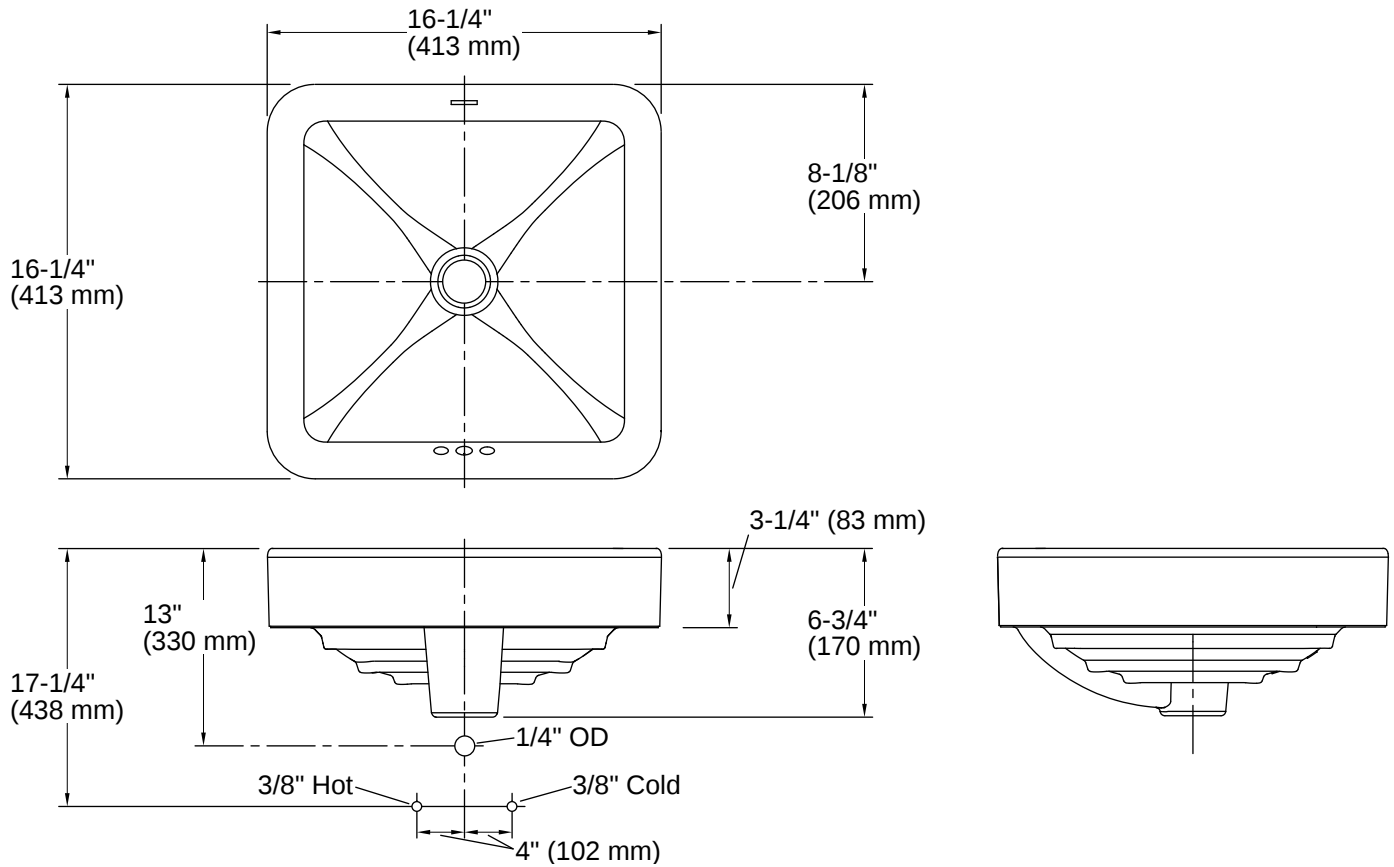
## Warranty

See website for detailed warranty information.

KOHLER® Vitreous China Bathroom Sink Lifetime Limited Warranty



1-800-4KOHLER (1-800-456-4537)  
Kohler Co. reserves the right to make revisions without notice to product specifications.  
For the most current specification sheet, go to [www.kohler.com](http://www.kohler.com) USA or [www.kohler.ca](http://www.kohler.ca) Canada.  
4-15-2026 6:3 - US-CA



## Installation

- Vessel

## Installation Notes

*Install this product according to the installation instructions.*

Choose a faucet that will provide adequate clearance and will direct the water stream to the center of the bathroom sink.

NOTICE: Countertop manufacturer or cutter must use the cut-out template provided with the product or a current one provided by Kohler Co. (call 1-800-4KOHLER). Kohler Co. is not responsible for cut-out errors when incorrect cut-out template is used.

Product rests on countertop. Consider height when designing installation.

Product dimensions are nominal and may vary per ASME A112.19.2 tolerances.

ADA, CSA B651 compliant when installed to the specific requirements of these regulations.

