



Avec® | K-25831

60" x 32" drop-in bath

Features

- Slotted overflow allows for deep soaking
- 13-1/4" (337 mm) deep-soaking depth provides a relaxing bathing experience
- Integral lumbar support and neck rest offer extra comfort while bathing
- Low step-over height allows easy entry and exit
- Integral overflow reduces installation time
- Textured bottom surface



1-800-4KOHLER (1-800-456-4537)
Kohler Co. reserves the right to make revisions without notice to product specifications.
For the most current specification sheet, go to www.kohler.com USA or www.kohler.ca Canada.
4-15-2026 6:12 - US-CA

THE BOLD LOOK
OF **KOHLER**®

Codes/Standards

ADA compliant when installed to the specific requirements of these regulations.

ADA

CSA B45.5/IAPMO Z124
 ASTM E162
 ASTM E662
 ADA
 ICC/ANSI A117.1

Technical Information

All product dimensions are nominal.

Drain Location:	Reversible
Drain Hole Diameter:	2-1/4" (57 mm)
Minimum Flat for Door:	2-15/16" (75 mm)
Basin Area, Bottom:	43-1/2" x 20-13/16" (1105 mm x 529 mm)
Basin Area, Top:	55-15/16" x 25-1/2" (1421 mm x 647 mm)
Water Depth:	13-1/4" (337 mm)
Water Capacity:	55.35 gal (209.5 L)
Minimum Floor Load:	41.4 lbs/ft ²
Weight:	89.16 lbs (40.4 kg)

Material

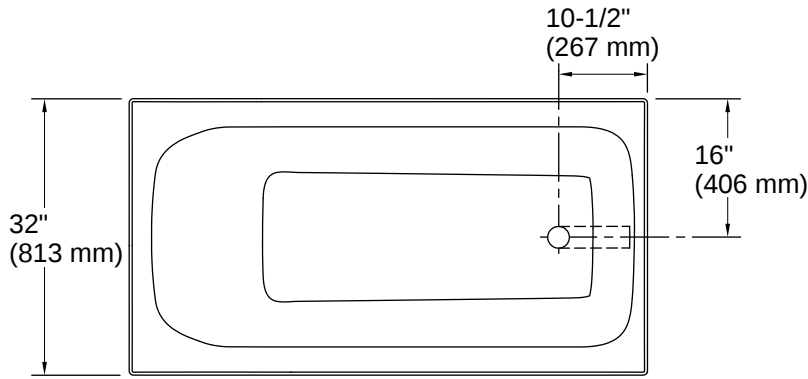
- Acrylic

Warranty

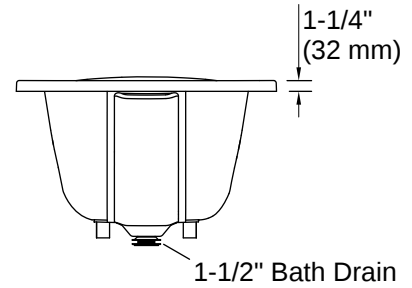
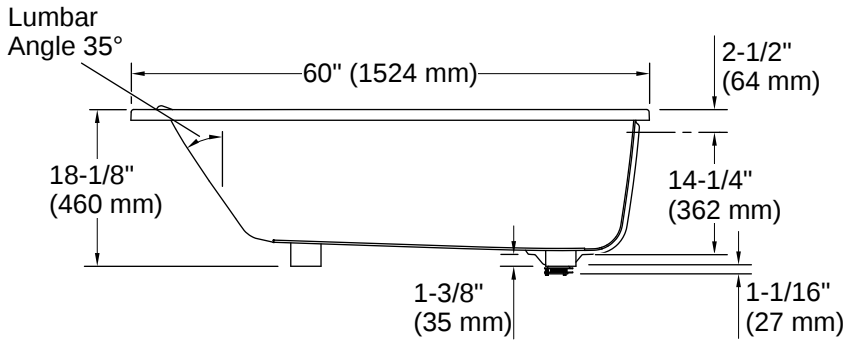
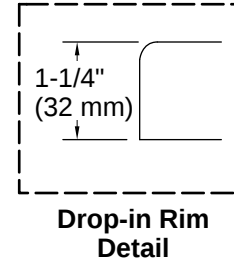
See website for detailed warranty information.

KOHLER® Plastic Baths and Shower Bases Lifetime Limited Warranty





No change in measurements if connected with drain illustrated. (1475082)



Installation

- Drop-in
- Reversible drain

Installation Notes

Install this product according to the installation instructions.

Measure your actual product for rough-in details.

The hot water supply should be 70% of the capacity of the bath or greater. Installations will vary.

ADA compliant when installed to the specific requirements of these regulations.

