



# Stanwell™ | K-25048-ER

Blow-out half-stall 0.5–1.0 gpf urinal, rear spud

## Features

- Blow-out flush action
- 3/4" (19 mm) rear spud
- Uses 0.5 to 1.0 gallons per flush



## Sustainability



## Available Colors/Finishes

*Color tiles intended for reference only.*

- 0 White



1-800-4KOHLER (1-800-456-4537)  
Kohler Co. reserves the right to make revisions without notice to product specifications.  
For the most current specification sheet, go to [www.kohler.com](http://www.kohler.com) USA or [www.kohler.ca](http://www.kohler.ca) Canada.  
4-15-2026 2:31 - US-CA

THE BOLD LOOK  
OF **KOHLER**

## Codes/Standards

ADA, OBC compliant when installed to the specific requirements of these regulations.

This product should be used with a WaterSense labeled counterpart with the same rated flush volume to ensure the complete system meets the requirements of this specification for water efficiency and performance.



ASME A112.19.2/CSA B45.1  
DOE - Energy Policy Act 1992  
EPA WaterSense®  
ADA  
ICC/ANSI A117.1  
OBC

## Technical Information

All product dimensions are nominal.

Spud size:	Inlet, Rear
Spud size:	Outlet, None
Trapway Type:	Exposed
Flush Rate:	0.5 or 1.0 gpf (1.0 or 3.8 lpf)

Designed for the above water use when installed with a water-saving flushometer.

## Material

- Vitreous china

## Recommended Products/Accessories

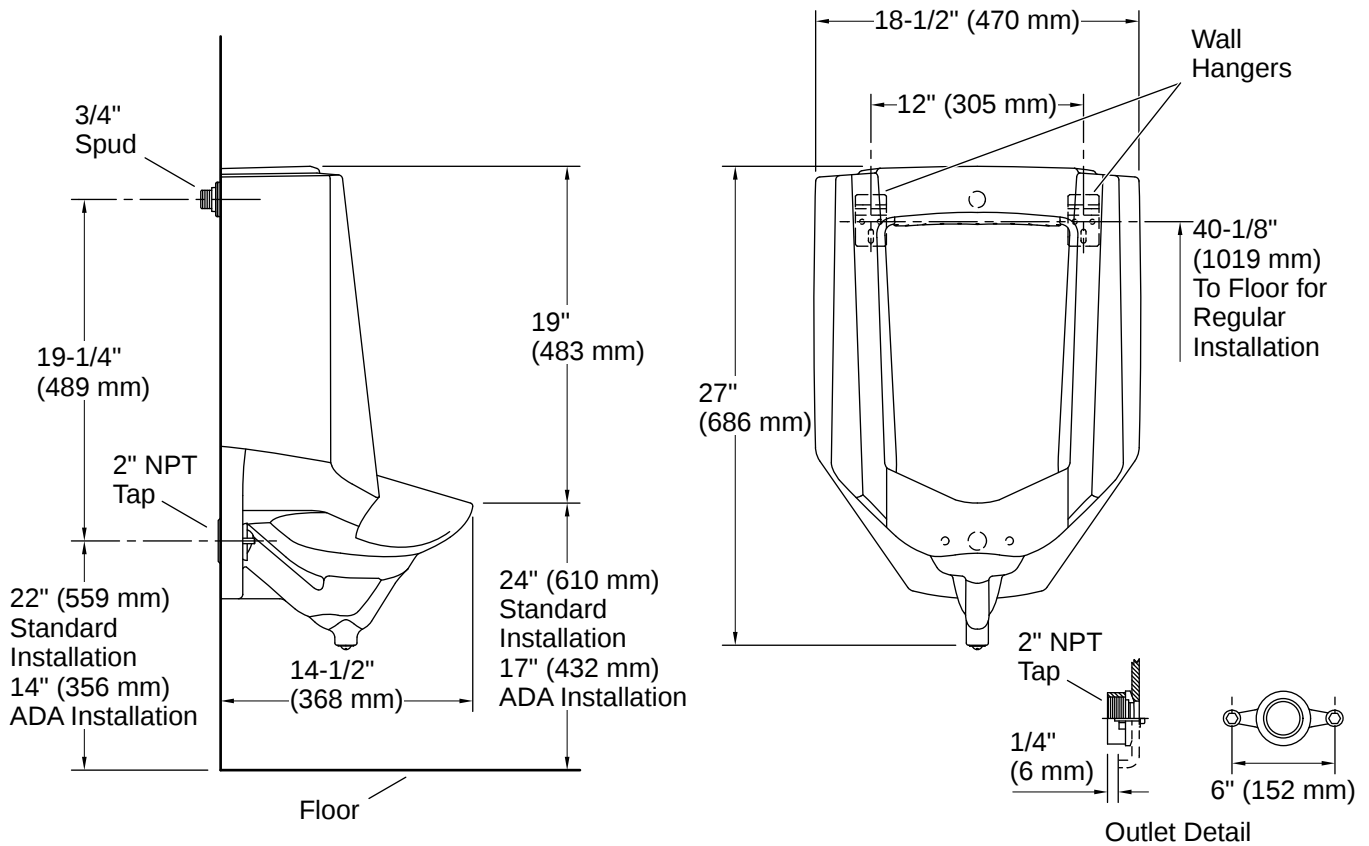
K-23726 Drain treatment  
K-23725 Cast iron cleaner

## Warranty

See website for detailed warranty information.

KOHLER® One-Year Limited Warranty





## Installation

- Replaces K-4972-ER
- Note: If urinal is being purchased as a retrofit for K-4972, a 3/4" valve tailpiece is also required; existing 1-1/4" valve tailpiece is not compatible

## Installation Notes

*Install this product according to the installation instructions.*

Refer to manufacturer's instructions and local codes for flushometer requirements.

Product dimensions are nominal and may vary per ASME A112.19.2 tolerances.

This product should be used with a WaterSense labeled counterpart with the same rated flush volume to ensure the complete system meets the requirements of this specification for water efficiency and performance.

ADA, OBC compliant when installed to the specific requirements of these regulations.

